

# Heavy-Duty Boot Dryer User Manual

READ AND SAVE THESE INSTRUCTIONS

**Inspect Unit Before Use.**

Contact [support@upperchelonproducts.com](mailto:support@upperchelonproducts.com) immediately for any damaged or defective units.

# TABLE OF CONTENTS

- 1 COMPONENTS
- 2 SAFETY
- 3 OPERATION
- 4 MAINTENANCE
- 5 HELPFUL TIPS
- 6 TROUBLESHOOTING
- 7 SPECIFICATIONS

## 1. COMPONENTS

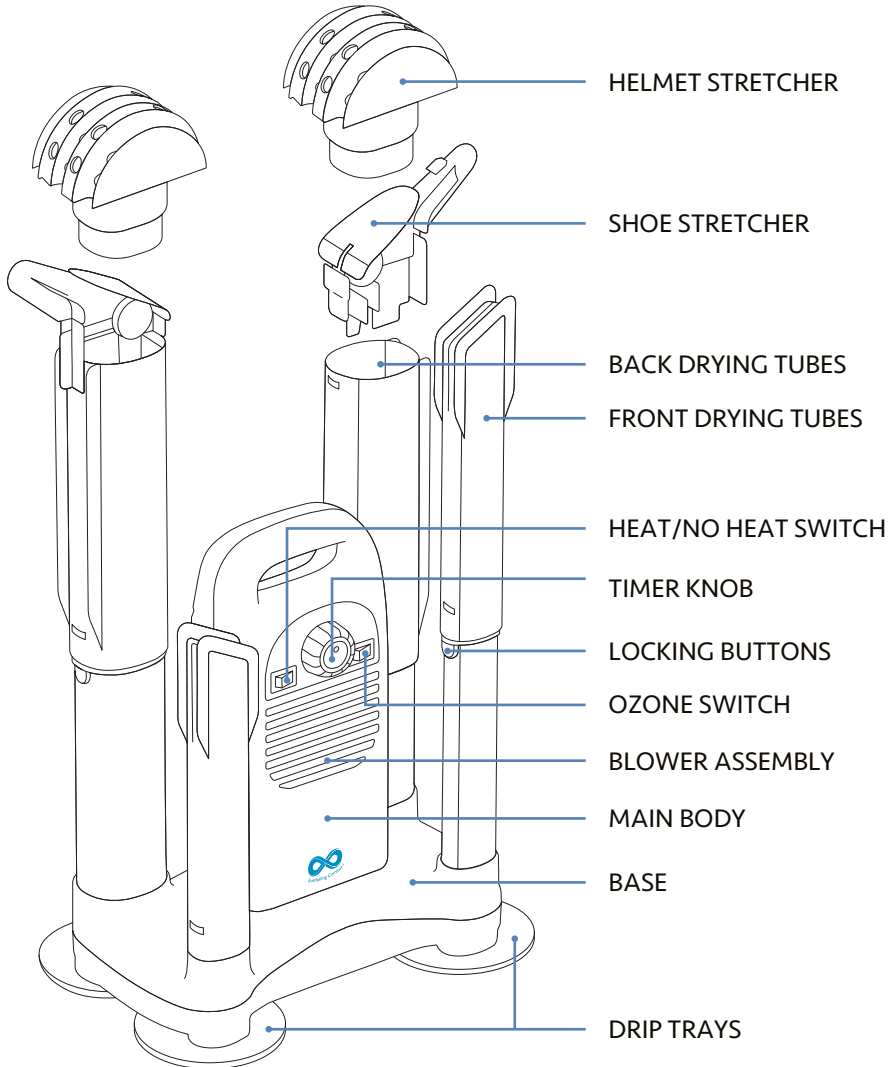
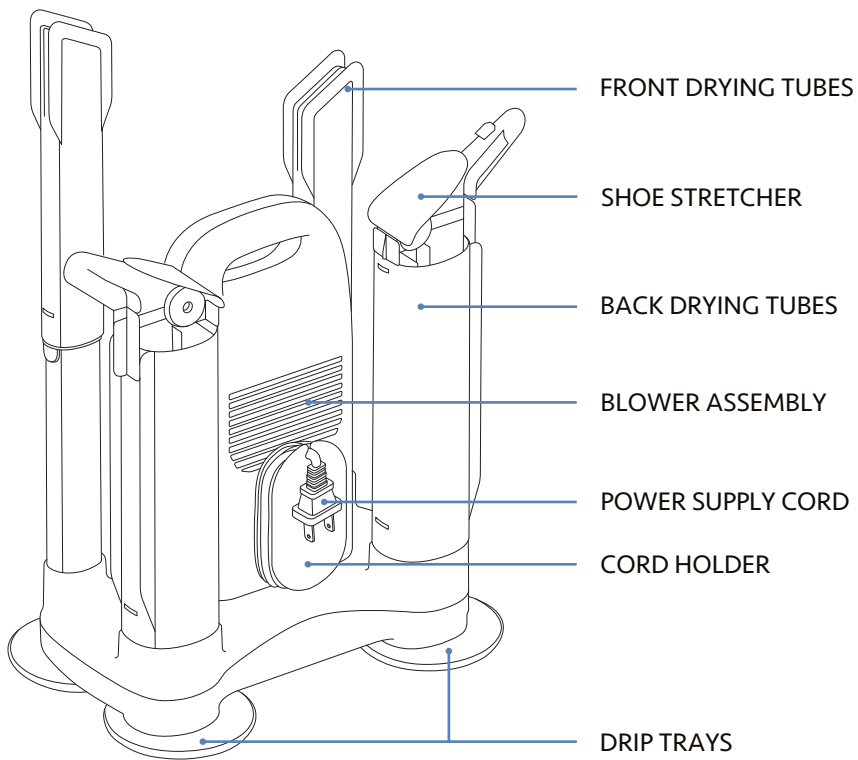


Fig. 1  
FRONT VIEW



**Fig. 2**  
**BACK VIEW**

## 2. SAFETY

**PLEASE READ CAREFULLY BEFORE USE & SAVE THESE INSTRUCTIONS**

### WARNINGS

- 1 ONLY FOR USE IN A WELL VENTILATED AREA.**
- 2** DO NOT use on any carpeted surface.
- 3** Use this boot dryer only as described in this manual. Any other use not recommended by the manufacturer may cause fire, electric shock, or personal injury.
- 4** DO NOT immerse the dryer in water. Never clean this unit while it's plugged in. To disconnect, turn controls to the OFF position, then unplug it from the outlet.
- 5** DO NOT allow the inside of the dryer to become wet during operation or in storage. Always store in a dry area free from potential moisture.
- 6** DO NOT use if the power supply cord is damaged. If damaged, it must be replaced by the manufacturer, a certified service agent, or a similarly qualified person to avoid hazards and electrocution.

IF YOU HAVE ANY QUESTIONS OR CONCERNS, PLEASE EMAIL US AT  
[SUPPORT@UPPERCHELONPRODUCTS.COM](mailto:SUPPORT@UPPERCHELONPRODUCTS.COM)

## WHEN USING AN ELECTRICAL APPLIANCE, BASIC SAFETY PRECAUTIONS SHOULD ALWAYS BE OBSERVED, INCLUDING THE FOLLOWING:

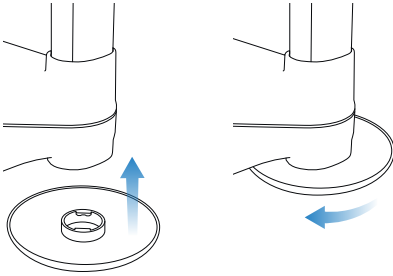
- 1 Thoroughly inspect the unit in its entirety for any cracks, chips, or damage that could cause the unit to malfunction. DO NOT use if damage is found.
- 2 Only a professional or authorized repairman should repair this appliance.
- 3 Keep the boot dryer and all of its packaging away from children and infants.
- 4 Before unplugging the power cord, be sure to turn off the unit's power. When touching the unit ensure your hands are dry to prevent electric shock.
- 5 If the unit has an abnormal sound or odor while in operation, please shut it down immediately and disconnect the power plug. Any repairs must be done by a professional repairman.
- 6 Connect only the electric plug to a secure wall socket.
- 7 Make sure the power supply cord is positioned to not be stepped on, tripped over, or otherwise subjected to damage or stress.
- 8 Be sure that no other appliances are in use on the same electrical circuit as your product, or an overload could occur.
- 9 To reduce the risk of damage to the power supply cord or outlet, pull the plug instead of the cord when disconnecting the unit.
- 10 Before cleaning or moving the unit, turn off and disconnect the plug from its power source.
- 11 The unit is equipped with a polarized plug (one blade is wider than the other). To reduce the risk of electric shock, plug into a secure wall socket only as intended. If the plug does not fit into the outlet, flip the plug 180 degrees and try again. If it still does not fit into the socket, contact a professional electrician. DO NOT attempt to modify the plug in any way.
- 12 DO NOT block air intake in any manner.
- 13 Clean only as instructed in Section 6 Maintenance. DO NOT clean with any other cleaning agents.
- 14 DO NOT override the timer control.
- 15 DO NOT overload with garments.
- 16 DO NOT use outdoors.
- 17 Do NOT operate in water.
- 18 DO NOT use or add any attachments to the unit that do not come with the unit.
- 19 DO NOT use the 'OZONE' function in any fully confined spaces.

## OPERATING ENVIRONMENT

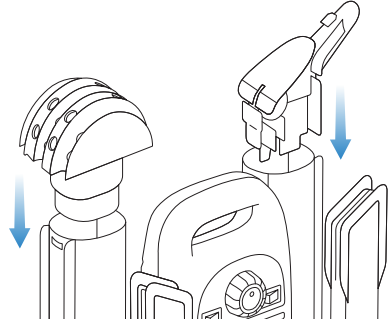
- 1 Place the unit on a firm, flat and dry surface, never carpeted.
- 2 DO NOT use this appliance in any kind of flammable environment.
- 3 Keep unit away from any heat source, i.e. heaters, furnaces, and avoid direct sunlight.
- 4 Industrial or household use only.

### 3. OPERATION

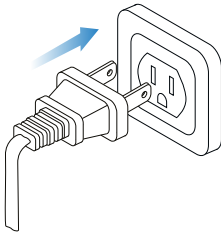
- 1 Attach 4 drip trays to the bottom of the unit. Press the tray onto the bottom feet of the unit and turn the tray clockwise to secure it in place.



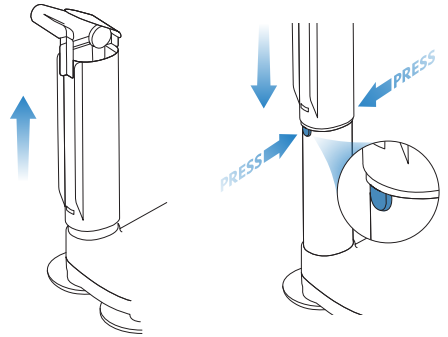
- 2 Attach either the 2 interchangeable shoe or helmet stretchers to the back drying tubes.



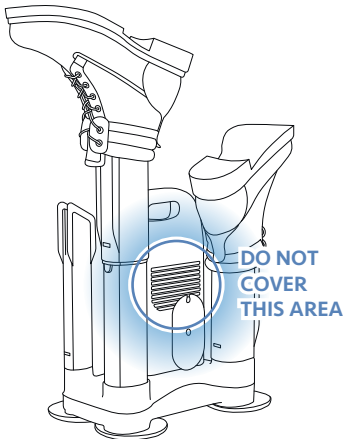
- 3 Plug the boot dryer into any standard 120 Volt 60 Hz electrical outlet.



- 4 Adjust the height of the drying tubes:



- 5 Slide boots or helmet upside down onto the back drying tubes. Be careful not to restrict airflow at the bottom or block airflow into the blower assembly.





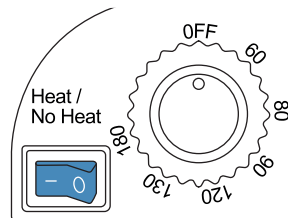
#### TO EXTEND

Pull the drying tubes up to adjust the height, accommodates boots up to 16" tall.

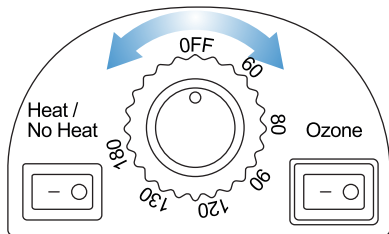
#### TO COMPACT


Press the two side locking buttons on the drying tube simultaneously and slide the drying tube down.

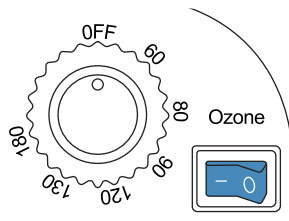
- 6 Select the HEAT  or NO HEAT  setting by pressing the switch to either use room temperature air or to add heat.



- 7 Turn the timer knob clockwise to the 180-minute mark to activate the timer switch, then turn the knob counterclockwise back to the desired drying time. The timer will automatically shut off the unit when allotted time is reached. Drying times may vary depending on the extent of moisture as well as the temperature and humidity. We recommend a minimum of 1 to 3 hours. Avoid over-drying.



- 8 To sanitize and deodorize your footwear or garment, flip the Ozone switch to the ON  position.



#### HELPFUL TIP:

Open all windows or doors to enhance air circulation whenever using this function.

**Optional:** You can place gloves or a different pair of shoes on the front smaller drying tubes. The front drying tubes are specifically designed for drying tennis shoes, socks, gloves, hats, kids' shoes, or any other small-sized garment.

## 4. MAINTENANCE

- 1 Turn off and unplug the unit from the wall before cleaning. Use mild soap on a damp cloth to clean the external surface of the boot dryer and its components. Do not let any liquid get inside of the motor located on the main body of the unit.
- 2 To properly store the unit:
  - A. Wrap the power cord around the designated power cord system on the back of the unit.
  - B. Slide all drying tubes down to their original position.
  - C. Let the unit dry for 24 hours before storing. We suggest storing in a cool ventilated area away from small children and infants.

## 5. HELPFUL TIPS

- 1 The boot dryer only heats to a safe and gentle temperature to prevent damage to garments. It is not a hairdryer and is not designed to emit a powerful current of air through garments.
- 2 DO NOT cover air circulation whenever placing gloves, mittens, children's boots or shoes onto the drying tubes or drying nozzles. Always use attachments as instructed.
- 3 To prevent bacteria and fungus growth in your footwear, the primary cause of odor, make sure to dry after each use.
- 4 Smaller footwear and garments will take less time to dry.
- 5 Your energy-efficient boot dryer heats to a gentle temperature of around 122 Fahrenheit/50 centigrades based on the room temperature and uses Forced Air technology to quickly dry wet garments, but it does not generate a forceful air stream that might damage or deform garments.

## 6. TROUBLESHOOTING

PROBLEM	PRIMARY CAUSE	SOLUTION
Unit doesn't sound like it is on.	Unit is on but may not seem like it.	Place the back of your hand near the drying tubes to feel the gentle warm air or place footwear and garments onto the drying tubes for 30-minutes then touch the inside of the garment to feel the gentle heat.
Back drying tubes are shaking.	The back tubes are in the extended position.	This is normal, the drying tubes are strong and durable and may shake slightly when extended.
Unit has an abnormal sound or burning odor.	You may have received a defective unit.	Shut it down immediately and disconnect the power plug. Any repairs must be done by a professional repairman.

## 7. SPECIFICATIONS

Model No.	HD-008
Voltage	120V 60Hz
Power	250 W
Capacity	4.0L
Conforms to	UL STD.499
Certified to	CSA STD.C22.2 No.64
Max Drying Time	180 minutes

### HAVE AN ISSUE WITH YOUR HEAVY-DUTY BOOT DRYER?

Enjoy hassle-free replacements: if your heavy-duty boot dryer is defective or damaged, we will ship you a new one ABSOLUTELY FREE.

For fast and knowledgeable service, get in touch with one of our customer service experts right now!

**Email: [support@upperechelonproducts.com](mailto:support@upperechelonproducts.com)**



To check out more of the products we offer visit:

[everlastingcomfort.net](http://everlastingcomfort.net)





All parts have been tested  
by Intertek and are ETL Certified.

