

# Arm Rest Pads

USER MANUAL

## HOW TO USE:

- 1 Unwrap each strap from the arm rest pad.
- 2 Pull each strap out from its buckle.
- 3 Place the armrest pad with its white non-slip gel rubber bottom side down onto the armrest of a chair. The velcro straps should hang on the outside edge of the armrest, as shown in the diagram below.



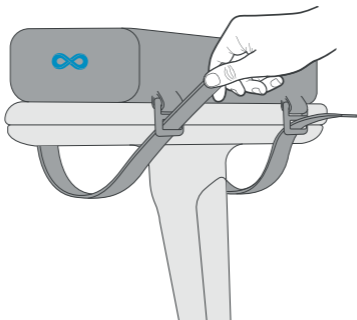
**STRAP ON OUTSIDE  
BUCKLES ON INSIDE  
LOGO FACING FRONT**

**PLACE THE PAD WITH (L)  
STICKER UNDER YOUR LEFT  
ARM**

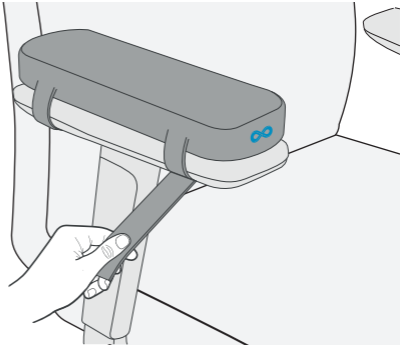
**PLACE THE PAD WITH (R)  
STICKER UNDER YOUR  
RIGHT ARM**



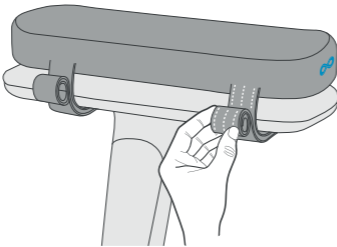
- 4 Wrap each strap underneath the arm rest and loop the strap through the opening of the buckle.



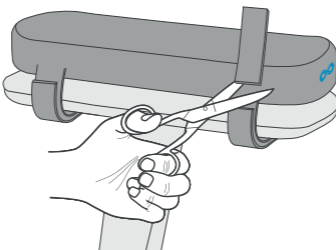
**5** Pull Each Strap Down and Back Under Arm Rest



**6** Fasten straps and roll excess strap under and towards arm rest (fuzzy side facing up).



**OPTIONAL:** You can cut the excess strap using any household scissors, however, it may prevent you from using the arm rest pads on a different arm rest in the future. The fit may be different.

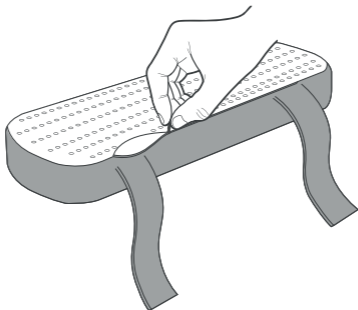


## DETACHING THE ARM REST PADS

1. Unroll any excess part of the strap and/or pull the straps apart from the double-sided velcro.
2. Lift the arm rest pad from the arm rest of the chair.
3. Pull the straps out of the buckle to detach.

## HOW TO CLEAN:

Unzip the cover from the back of the armrest pad and toss it into the wash. Machine wash cold. Do not put the cover in the dryer. Air dry only.



## HAVE AN ISSUE WITH YOUR ARM REST PADS?

Enjoy-hassle free replacements: if your arm rest pads are defective or damaged, we will ship you a new set ABSOLUTELY FREE.

For fast and knowledgeable service, get in touch with one of our customer service experts right now!

WRITE A MESSAGE  
TO SUPPORT



Email: [support@upperechelonproducts.com](mailto:support@upperechelonproducts.com)

To check out more of the products we offer visit:

[everlastingcomfort.net](http://everlastingcomfort.net)

