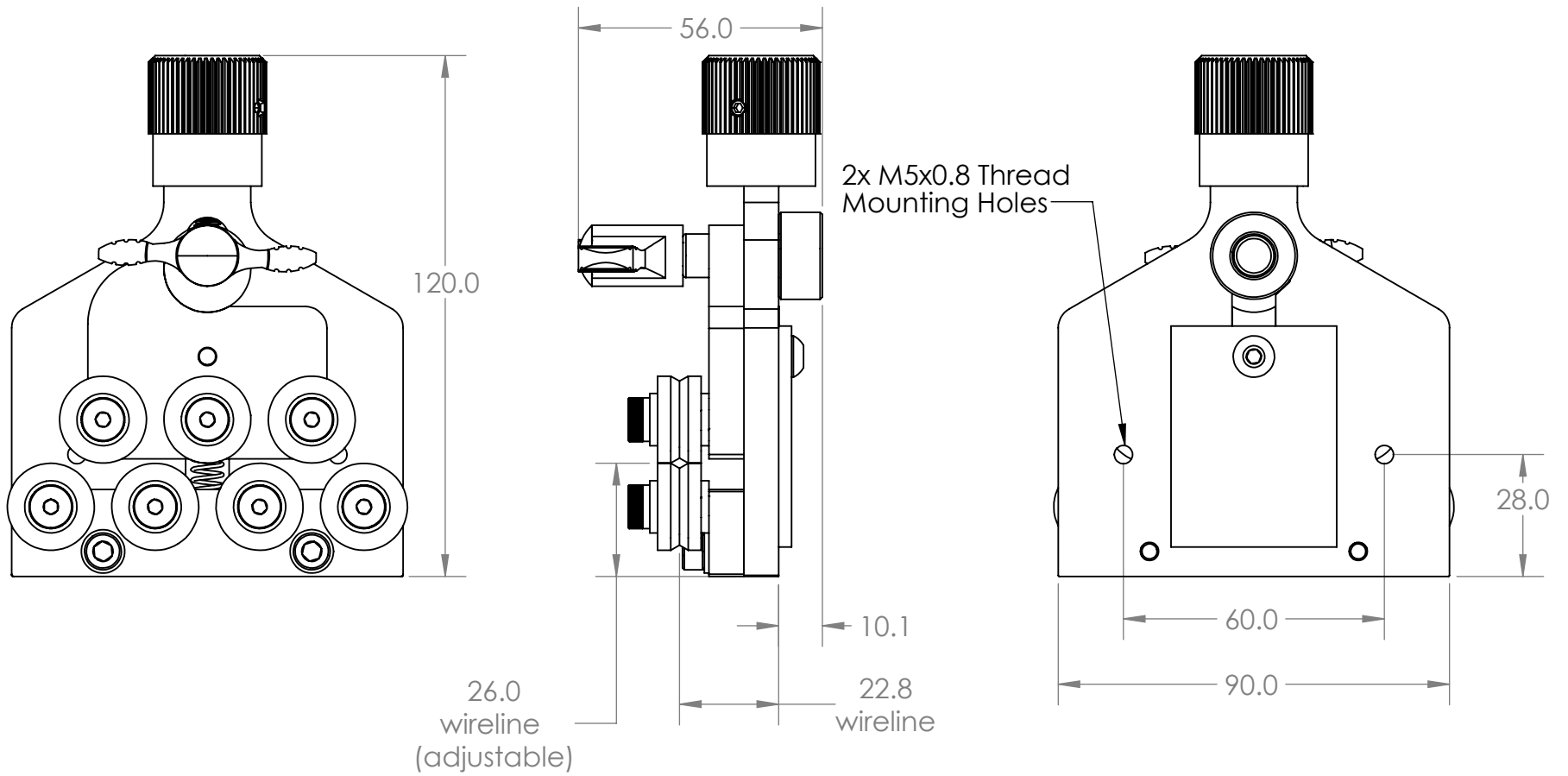


Unit:
Millimeter



J2X Systems LLC

Model: **WS-10-SP**