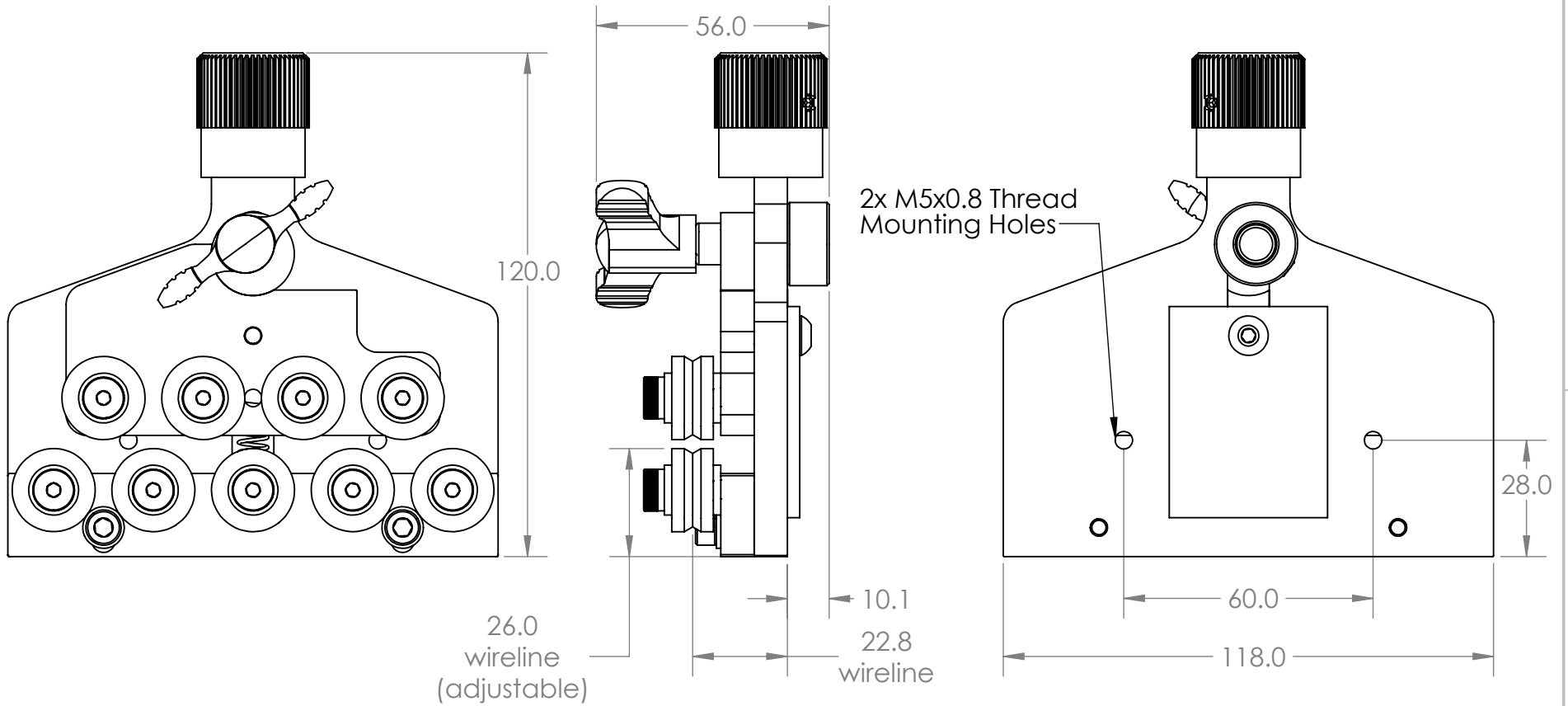


Unit:  
**Millimeter**



**J2X Systems LLC**

Model: **WS-02-SP**