

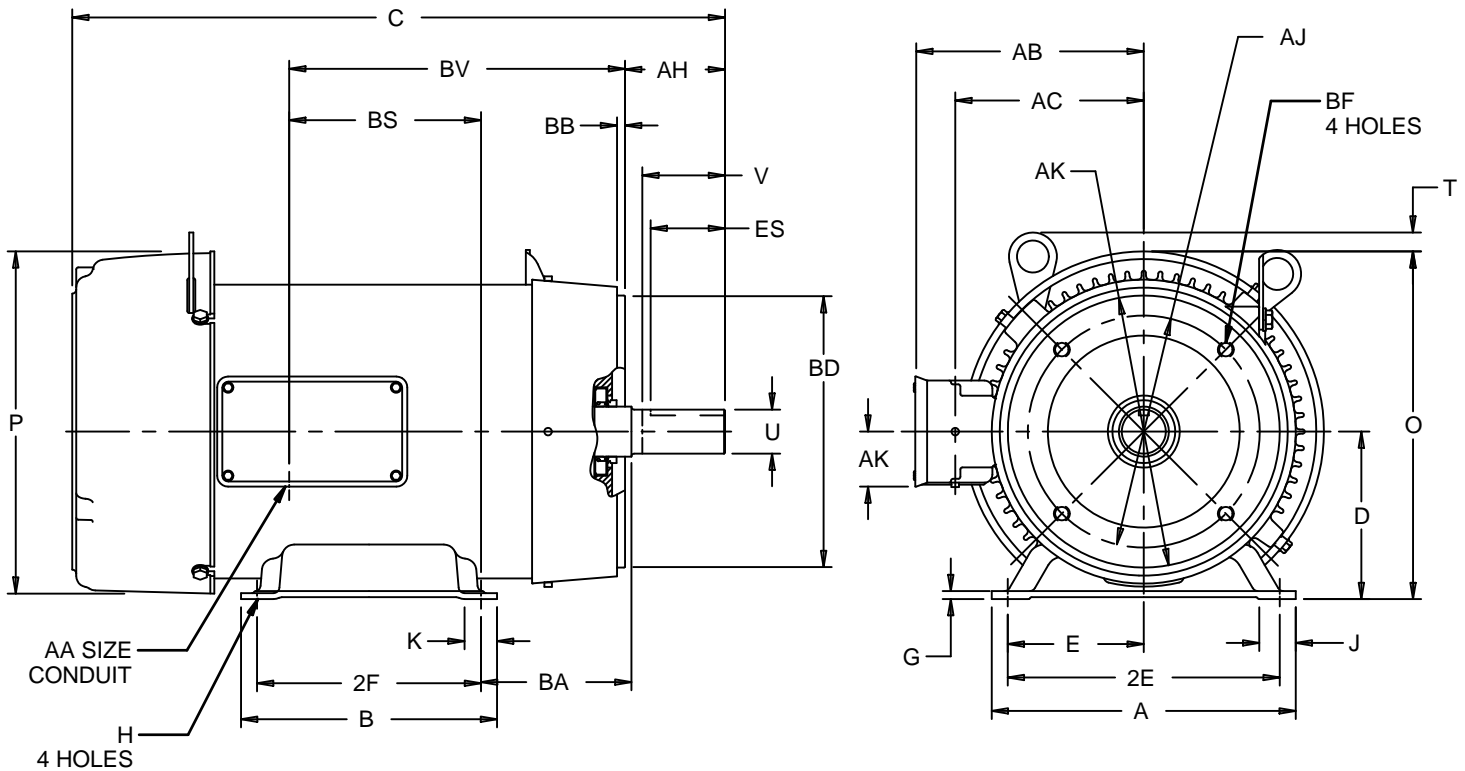
EFFECTIVE:  
02-FEB-16

SUPERSEDES:  
23-JUL-13

**DIMENSION PRINT**  
TEFC-WASHDOWN DUTY  
FRAME: 180, 210TC  
BASIC TYPE: FWER, WE

PRINT:  
07-3082

SHEET:  
1 OF 1



ALL DIMENSIONS ARE IN INCHES AND MILLIMETERS

| FRAME       | UNITS | A    | D<br>-.06 | E    | 2E<br>±.03 | G   | H<br>+.05 | J    | K    | O     | P <sup>2</sup> | T   |
|-------------|-------|------|-----------|------|------------|-----|-----------|------|------|-------|----------------|-----|
| 182TC,184TC | IN    | 8.75 | 4.50      | 3.75 | 7.50       | .19 | .44       | 1.13 | 2.00 | 9.28  | 9.56           | -   |
|             | MM    | 222  | 114       | 95   | 191        | 5   | 11        | 29   | 51   | 236   | 243            | -   |
| 213TC,215TC | IN    | 9.50 | 5.25      | 4.25 | 8.50       | .19 | .44       | 1.06 | 1.06 | 10.88 | 11.25          | .59 |
|             | MM    | 241  | 133       | 108  | 216        | 5   | 11        | 27   | 27   | 276   | 286            | 15  |

| FRAME       | UNITS | U<br>-.0005 | V<br>MIN | AA   | AB   | AC   | AF   | AH   | AJ   | AK<br>-.003 | BA   | BB  |
|-------------|-------|-------------|----------|------|------|------|------|------|------|-------------|------|-----|
| 182TC,184TC | IN    | 1.1250      | 2.59     | .75  | 6.50 | 5.16 | 1.59 | 2.63 | 7.25 | 8.500       | 3.50 | .25 |
|             | MM    | 28.575      | 66       | 19   | 165  | 131  | 40   | 67   | 184  | 215.90      | 89   | 6   |
| 213TC,215TC | IN    | 1.3750      | 3.25     | 1.00 | 7.22 | 5.88 | 1.59 | 3.13 | 7.25 | 8.500       | 4.25 | .25 |
|             | MM    | 34.925      | 83       | 25   | 183  | 149  | 40   | 80   | 184  | 215.90      | 108  | 6   |

| FRAME       | UNITS | BD   | BF <sup>7</sup> | ES<br>MIN | SQ<br>KEY |
|-------------|-------|------|-----------------|-----------|-----------|
| 182TC,184TC | IN    | 8.94 | 1/2-13 x .75    | 1.81      | .25       |
|             | MM    | 227  |                 | 46        | 6         |
| 213TC,215TC | IN    | 9.00 | 1/2-13 x .75    | 2.75      | .31       |
|             | MM    | 229  |                 | 70        | 8         |

| FRAME                  | B    | C     | 2F<br>±.03 | BS   | BV    |
|------------------------|------|-------|------------|------|-------|
| 182/184TC<br>(8.250")  | 6.50 | 16.75 | 4.50       | 5.34 | 8.72  |
|                        | 165  | 425   | 114        | 136  | 221   |
| 182/184TC<br>(10.250") | 6.50 | 18.75 | 5.50       | 7.34 | 10.72 |
|                        | 165  | 476   | 140        | 186  | 272   |
| 184TC<br>(12.000")     | 6.50 | 20.50 | 5.50       | 9.09 | 12.47 |
|                        | 165  | 521   | 140        | 231  | 317   |
| 213TC<br>(11.250")     | 6.50 | 21.41 | 5.50       | 7.81 | 12.31 |
|                        | 165  | 544   | 140        | 198  | 313   |
| 215TC<br>(11.250")     | 8.00 | 21.41 | 7.00       | 7.81 | 12.31 |
|                        | 203  | 544   | 178        | 198  | 313   |
| 215TC<br>(12.250")     | 8.00 | 22.41 | 7.00       | 8.81 | 13.31 |
|                        | 203  | 569   | 178        | 224  | 338   |

- 1: ALL ROUGH DIMENSIONS MAY VARY BY .25" DUE TO CASTING AND/OR FABRICATION VARIATIONS.
- 2: LARGEST MOTOR WIDTH.
- 3: CONDUIT BOX MAY BE LOCATED ON EITHER SIDE OF MOTOR. CONDUIT OPENINGS MAY BE LOCATED IN STEPS OF 90 DEGREES REGARDLESS OF LOCATION. STANDARD AS SHOWN WITH CONDUIT OPENING DOWN.
- 4: TOLERANCES SHOWN ARE IN INCHES ONLY.
- 5: ALL TAPPED HOLES ARE UNIFIED NATIONAL COARSE, RIGHT HAND THREAD.
- 6: TAP SIZE AND BOLT PENETRATION ALLOWANCE.

| TOLERANCES                                  |             |
|---|-------------|
| FACE RUNOUT                                 | .004 T.I.R. |
| PERMISSIBLE ECCENTRICITY OF MOUNTING RABBET | .004 T.I.R. |
| PERMISSIBLE SHAFT RUNOUT                    | .002 T.I.R. |

07-3082/A

**Nidec Motor Corporation**  
St. Louis, Missouri

INFORMATION DISCLOSED ON THIS DOCUMENT IS CONSIDERED PROPRIETARY AND SHALL NOT BE REPRODUCED OR DISCLOSED WITHOUT WRITTEN CONSENT OF NIDEC MOTOR CORPORATION



ISSUED BY  
**R. KING**  
APPROVED BY  
**J. HAGENE**

IHP\_DP\_NMCA (MAR-2011) SOLIDEDGE