

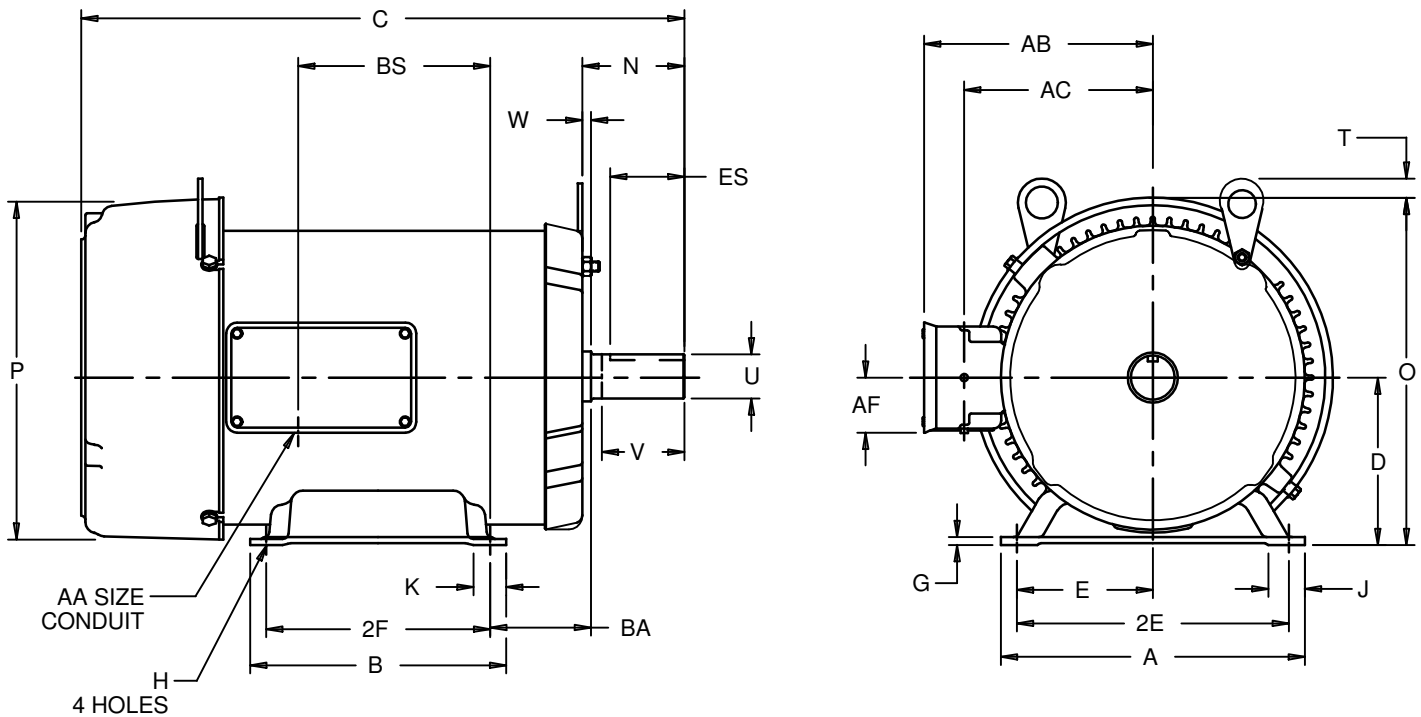
EFFECTIVE:
12-APR-11

HORIZONTAL MOTORS
TEFC - WASHDOWN DUTY
FRAME: 180, 210T
BASIC TYPE: FWEN, WE

PRINT:
07-2014

SUPERSEDES:
25-JUN-10

SHEET:
1 OF 1



ALL DIMENSIONS ARE IN INCHES AND MILLIMETERS

FRAME	UNITS	A	D -.06	E	2E ±.03	G	H +.05	J	K	N	O	P ²
182T,184T	IN	8.75	4.50	3.75	7.50	.19	.44	1.13	2.00	3.00	9.28	9.56
	MM	222	114	95	191	5	11	29	51	76	236	243
213T,215T	IN	9.50	5.25	4.25	8.50	.19	.44	1.06	1.06	3.66	10.88	11.25
	MM	241	133	108	216	5	11	27	27	93	276	286

FRAME	UNITS	T	U -.0005	V MIN	W	AA	AB	AC	AF	BA	ES MIN	SQ KEY
182T,184T	IN	-	1.1250	2.59	.25	.75	6.50	5.16	1.59	2.75	1.81	.25
	MM	-	28.58	66	6	19	165	131	40	70	46	6
213T,215T	IN	.59	1.3750	3.25	.28	1.00	7.22	5.88	1.59	3.50	2.44	.31
	MM	15	34.92	83	7	25	183	149	40	89	62	8

FRAME	B	C	2F ±.03	BS
182T	6.50	15.78	4.50	5.13
	165	401	114	130
184T	6.50	15.78	5.50	5.13
	165	401	140	130
213T	6.50	18.28	5.50	5.47
	165	464	140	139
215T	8.00	19.28	7.00	6.47
	203	490	178	164

- 1: ALL ROUGH DIMENSIONS MAY VARY BY .25" DUE TO CASTING AND/OR FABRICATION VARIATIONS.
- 2: LARGEST MOTOR WIDTH.
- 3: FRAME REFERENCE: 8.250"/182/184/9.250"/213//10.250"/215
- 4: CONDUIT BOX MAY BE LOCATED ON EITHER SIDE OF MOTOR.
CONDUIT OPENINGS MAY BE LOCATED IN STEPS OF 90 DEGREES REGARDLESS OF LOCATION. STANDARD AS SHOWN WITH CONDUIT OPENING DOWN.
- 5: TOLERANCES SHOWN ARE IN INCHES ONLY.
- 6: ALL TAPPED HOLES ARE UNIFIED NATIONAL COARSE, RIGHT HAND THREAD.

07-2014/A

Nidec Motor Corporation
St. Louis, Missouri

INFORMATION DISCLOSED ON THIS DOCUMENT IS CONSIDERED PROPRIETARY AND SHALL NOT BE REPRODUCED OR DISCLOSED WITHOUT WRITTEN CONSENT OF NIDEC MOTOR CORPORATION



ISSUED BY
V. PAWAR
APPROVED BY
R. KING

IHP_DP_NMCA (MAR-2011) SOLIDEDGE