

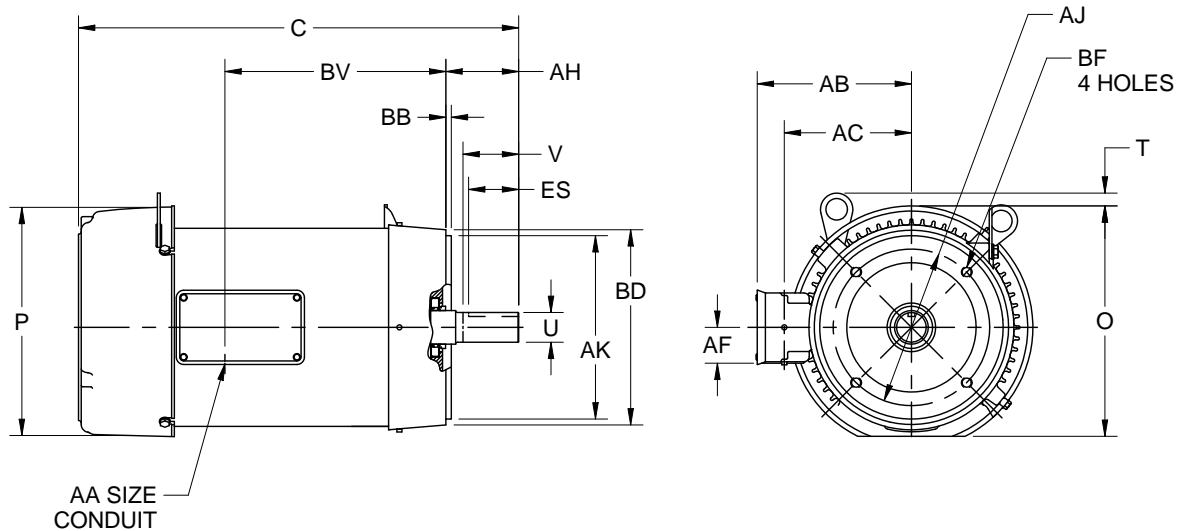
EFFECTIVE:
25-NOV-16

SUPERSEDES:
13-APR-11

DIMENSION PRINT
TEFC - WASHDOWN DUTY
FRAME: 180, 210TC
BASIC TYPE: FWEF, WEF

PRINT:
07-2016

SHEET:
1 OF 1



ALL DIMENSIONS ARE IN INCHES AND MILLIMETERS

FRAME	UNITS	O	P ²	T	U -.0005	V MIN	AA	AB	AC	AF
182TC,184TC	IN	9.13	9.56	-	1.1250	2.59	.75	6.50	5.16	1.59
	MM	232	243	-	28.575	66	19	165	131	40
213TC,215TC	IN	10.69	11.25	.59	1.3750	3.25	1.00	7.22	5.88	1.59
	MM	272	286	15	34.925	83	25	183	149	40

FRAME	UNITS	AH	AJ	AK -.003	BB	BD	BF ⁷	ES MIN	SQ KEY
182TC,184TC	IN	2.63	7.25	8.500	.25	8.94	1/2-13 X .75	1.81	.25
	MM	67	184	215.90	6	227		46	6
213TC,215TC	IN	3.13	7.25	8.500	.25	9.00	1/2-13 X .75	2.44	.31
	MM	80	184	215.90	6	229		62	8

FRAME	UNITS	C	BV
182TC,184TC	IN	16.75	8.72
	MM	425	221
213TC	IN	19.41	10.31
	MM	493	262
215TC	IN	20.41	10.25
	MM	518	267

- ALL ROUGH DIMENSIONS MAY VARY BY .25" DUE TO CASTING AND/OR FABRICATION VARIATIONS.
- LARGEST MOTOR WIDTH.
- FRAME REFERENCE: 8.250"/182/184/9.250"/213//10.250"/215
- CONDUIT BOX MAY BE LOCATED ON EITHER SIDE OF MOTOR.
CONDUIT OPENINGS MAY BE LOCATED IN STEPS OF 90 DEGREES REGARDLESS OF LOCATION. STANDARD AS SHOWN WITH CONDUIT OPENING DOWN.
- TOLERANCES SHOWN ARE IN INCHES ONLY.
- ALL TAPPED HOLES ARE UNIFIED NATIONAL COARSE, RIGHT HAND THREAD.
- TAP SIZE AND BOLT PENETRATION ALLOWANCE.

TOLERANCES	
FACE RUNOUT	.004 T.I.R.
PERMISSIBLE ECCENTRICITY OF MOUNTING RABBET	.004 T.I.R.
PERMISSIBLE SHAFT RUNOUT	.002 T.I.R.

07-2016/A

Nidec Motor Corporation
St. Louis, Missouri

INFORMATION DISCLOSED ON THIS DOCUMENT IS CONSIDERED PROPRIETARY AND SHALL NOT BE REPRODUCED OR DISCLOSED WITHOUT WRITTEN CONSENT OF NIDEC MOTOR CORPORATION



ISSUED BY
P. ORTEGA
APPROVED BY
G. MARTINEZ

IHP_DP_NMCA (MAR-2011) SOLIDEDGE