

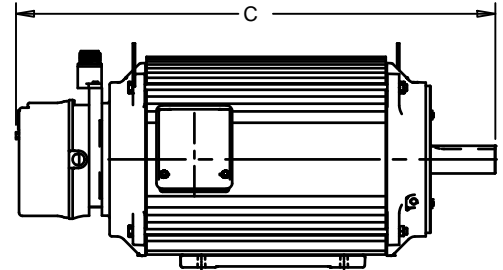
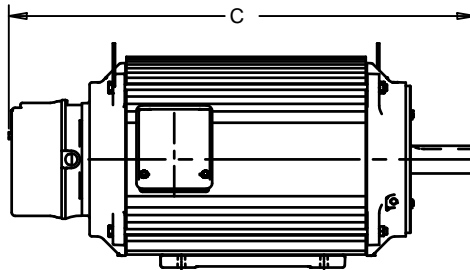
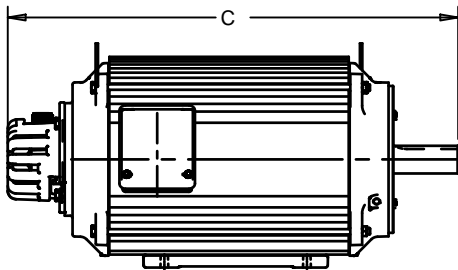
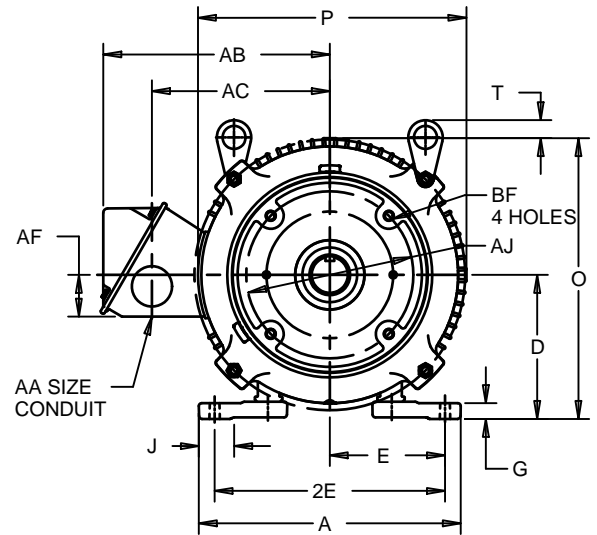
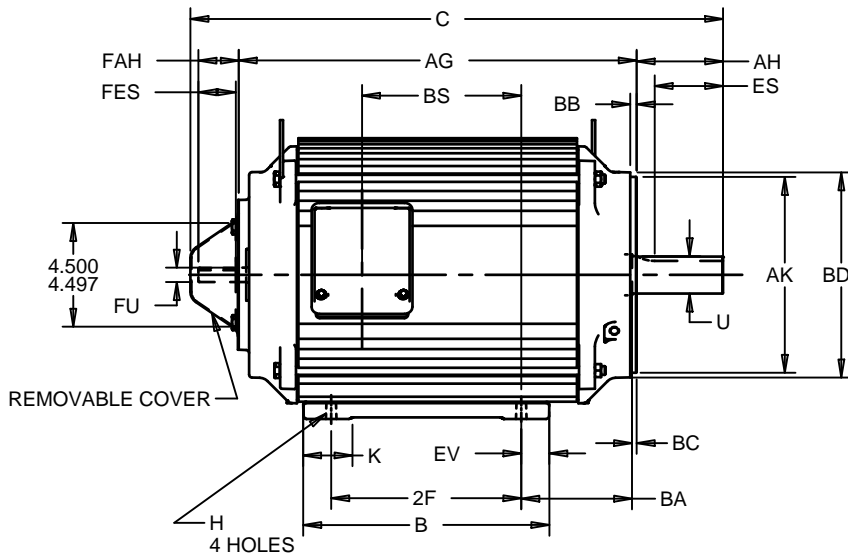
EFFECTIVE:
16-OCT-13

DIMENSION PRINT
UNIMOUNT VECTOR DUTY
FRAME: 254TC,256TC
BASIC TYPE: UTXN

PRINT:
07-2755

SUPERSEDES:
17-NOV-08

SHEET:
1 OF 1



DYNAPAR ENCODER KIT ADD 1.20" TO THE 'C' DIMENSION
EPC ENCODER KIT ADD 0.76" TO THE 'C' DIMENSION

BRAKE ADD 2.13" TO THE 'C' DIMENSION

BRAKE WITH SL56 ADD 2.87" TO THE 'C' DIMENSION
BRAKE WITH 770 ADD 3.11" TO THE 'C' DIMENSION

ALL DIMENSIONS ARE IN INCHES AND MILLIMETERS

UNITS	A	D -.06	E	2E ±.03	G	H +.05	J	K	EV	AC	O
IN	11.37	6.25	5.00	10.00	.69	.53	1.38	2.00	1.22	7.72	12.59
MM	289	159	127	254	17	13	35	51	31	196	320

UNITS	AB	AF	U -.0005	AA	AH	AJ	AK -.003	BA	FAH	FES	P ²
IN	9.95	1.81	1.6250	1.25	3.75	7.25	8.50	4.75	1.75	1.50	12.12
MM	253	46	41.275	32	95	184.15	215.9	121	44	38	308

UNITS	BB MIN	BC	BD MAX	BF ⁴	ES MIN	FU -.0005	SE SQ KEY	PE SQ KEY	T
IN	.28	.26	8.90	1/2-13 X .81	2.91	.6250	.188	.375	0.37
MM	7	6	226		74	15.875	4.78	9.53	9

FRAME	HP	UNITS	C	AG	BS	2F ±.03	B
254TC	15	IN	26.31	20.46	10.10	8.25	10.67
		MM	668	520	257	210	271
	7.5	IN	25.31	19.46	9.10	8.25	10.67
		MM	643	494	231	210	271
256TC	20	IN	26.31	20.46	10.10	10.00	12.44
		MM	668	520	257	254	316
	10	IN	25.31	19.46	9.10	10.00	12.44
		MM	643	494	231	254	316

TOLERANCES	
FACE RUNOUT	.004 T.I.R.
PERMISSIBLE ECCENTRICITY OF MOUNTING RABBET	.004 T.I.R.
PERMISSIBLE SHAFT RUNOUT	.002 T.I.R.

- ALL ROUGH DIMENSIONS MAY VARY BY .25" DUE TO CASTING AND/OR FABRICATION VARIATIONS.
- LARGEST MOTOR WIDTH.
- CONDUIT OPENINGS MAY BE LOCATED IN STEPS OF 90 DEGREES REGARDLESS OF LOCATION. STANDARD AS SHOWN WITH CONDUIT OPENING DOWN.

- TAP SIZE AND BOLT PENETRATION ALLOWANCE.
- ALL TAPPED HOLES ARE UNIFIED NATIONAL COARSE, RIGHT HAND THREAD.
- TOLERANCES SHOWN ARE IN INCHES ONLY.
- FRAME REFERENCE: 8.250/182//9.000/184

07-2755/A

Nidec Motor Corporation
St. Louis, Missouri

INFORMATION DISCLOSED ON THIS DOCUMENT IS CONSIDERED PROPRIETARY AND SHALL NOT BE REPRODUCED OR DISCLOSED WITHOUT WRITTEN CONSENT OF NIDEC MOTOR CORPORATION



ISSUED BY
R. KING
APPROVED BY
J. O'BRIEN

IHP_DP_NMCA (MAR-2011) SOLIDEDGE