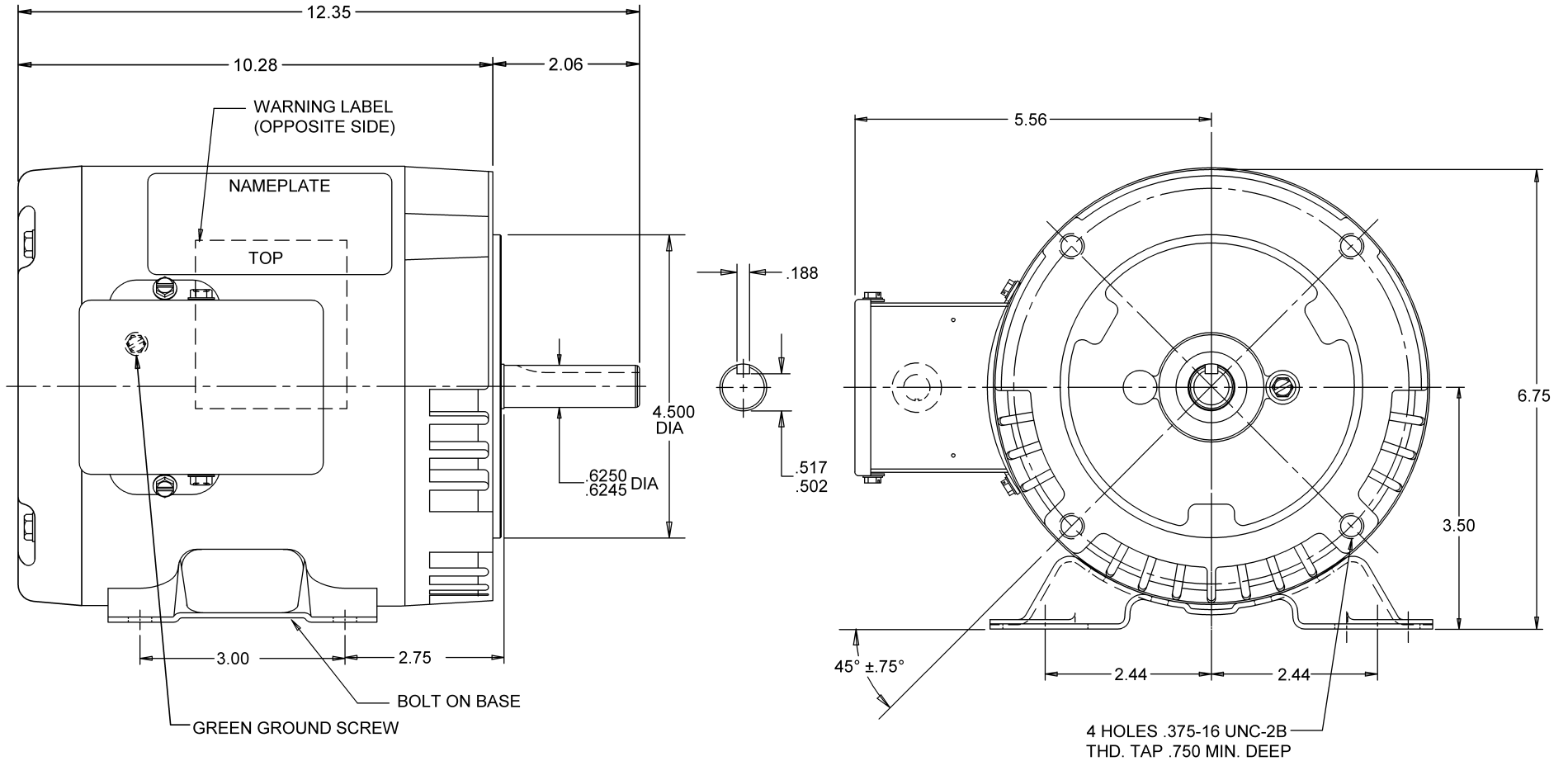


.19 X .19 X 1.38 KEY SHIPPED WITH MOTOR



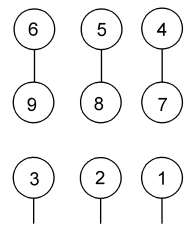
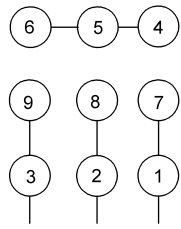
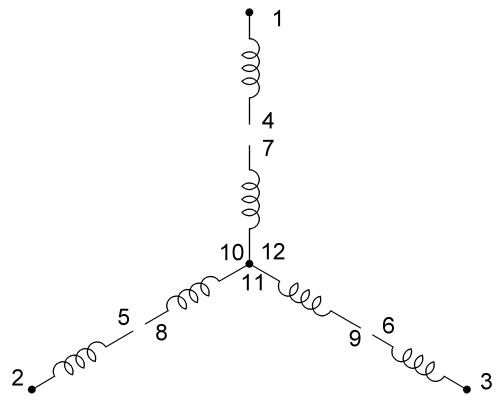
REV. G

MODEL	REF	CUSTOMER	HP	VOLTS	AMPS	HZ	RPM	ROTATION	CUSTOMER PN	
J63BGL-137	--	USEM	1	208-230/460	3.5-3.4/1.7	60	1725	REVERSIBLE	UN1V2AFC	
SHEET NUMBER 1 OF 2	REV G	REVISION RECORD FOR: C4997-00			INFORMATION DISCLOSED ON THIS DOCUMENT IS CONSIDERED PROPRIETARY AND SHALL NOT BE REPRODUCED OR DISCLOSED WITHOUT WRITTEN CONSENT OF NIDEC MOTOR CORPORATION				NIDEC MOTOR CORPORATION	
REVISION DATE		UPDATED BACKGROUND TO NIDEC.								
23-JAN-12										
ALL DIMENSIONS ARE FOR REFERENCE ONLY UNLESS TOLERANCE IS GIVEN										
ISSUED BY E. VICENCIO		REVIEWED BY J.I. SALAZAR		ENGINEER APPROVED J.I. SALAZAR		TITLE ASSEMBLED VIEW		CODE V01	ITEM NO. 743327	SIZE B

NIDEC MOTOR CORPORATION 23-Jan-12

V01_NMCB (MAR-2011)

SOLIDEDGE



MODEL		REF	CUSTOMER	HP	VOLTS	AMPS	HZ	RPM	ROTATION	CUSTOMER PN
J63BGL-137		--	USEM	1	208-230/460	3.5-3.4/1.7	60	1725	REVERSIBLE	UN1V2AFC
SHEET NUMBER	REV	REVISION RECORD FOR: C4997-00			INFORMATION DISCLOSED ON THIS DOCUMENT IS CONSIDERED PROPRIETARY AND SHALL NOT BE REPRODUCED OR DISCLOSED WITHOUT WRITTEN CONSENT OF NIDEC MOTOR CORPORATION				NIDEC MOTOR CORPORATION	
2 OF 2	G									
REVISION DATE										
23-JAN-12					ALL DIMENSIONS ARE FOR REFERENCE ONLY UNLESS TOLERANCE IS GIVEN					
ISSUED BY	REVIEWED BY	ENGINEER APPROVED	TITLE			CODE	ITEM NO.	SIZE		
E. VICENCIO	J.I. SALAZAR	J.I. SALAZAR	ASSEMBLED VIEW			V01	743327	B		