

EFFECTIVE:  
**04-JUN-14**

# HORIZONTAL MOTORS

## UNIMOUNT VECTOR DUTY

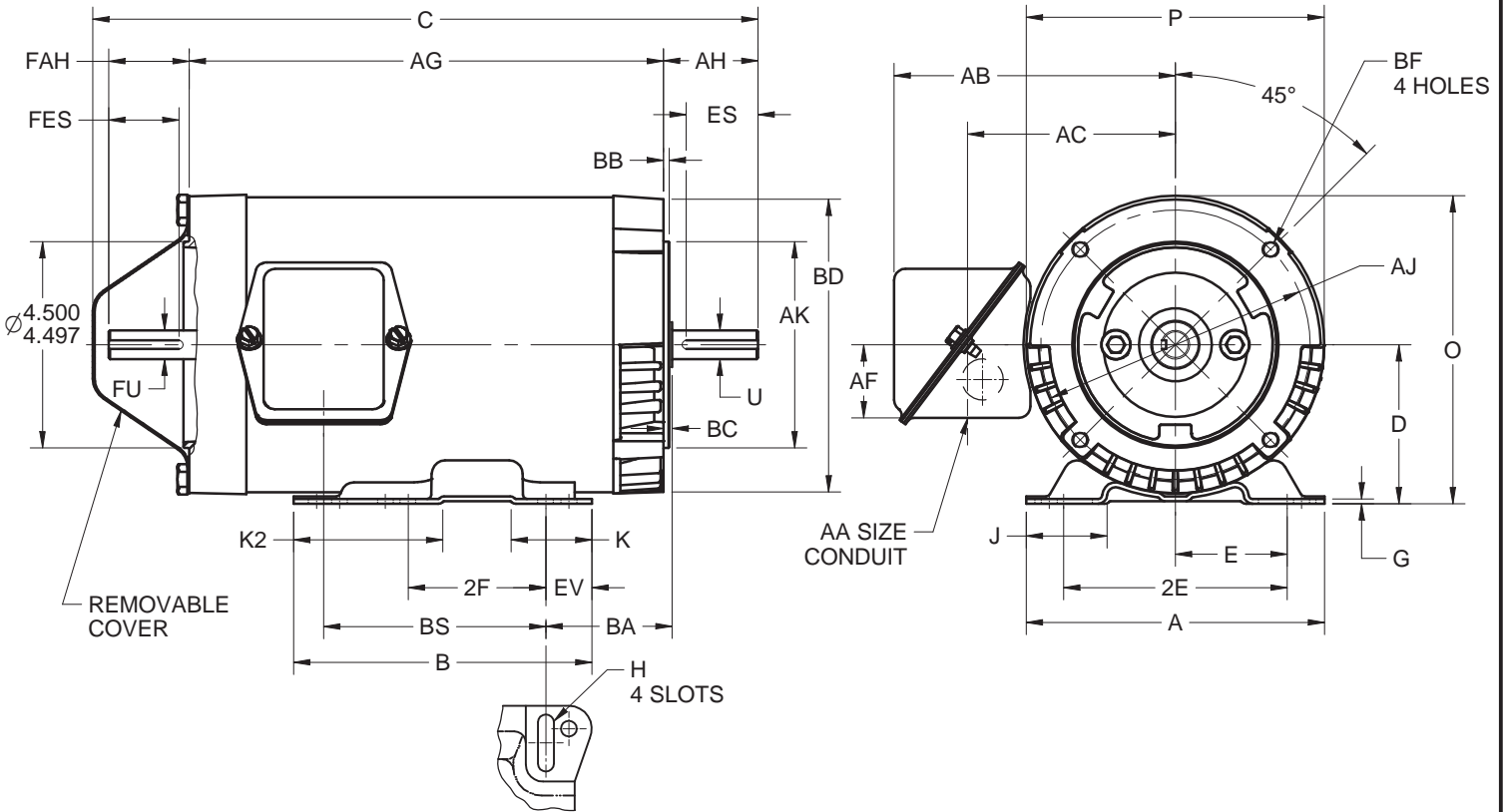
PRINT:  
**07-3116**

SUPERSEDES:  
**04-APR-14**

FRAME: 56C  
BASIC TYPE: UTX

SHEET:  
**1 OF 2**

FOR ENCODER AND BRAKE CONFIGURATIONS SEE SHEET 2



ALL DIMENSIONS ARE IN INCHES AND MILLIMETERS

UNITS	A	B	C	D -.06	E	2E ±.03	2F ±.03	G	H +.05	J	K	K2	O
IN	6.50	6.50	14.51	3.50	2.44	4.88	3.00	.13	.34 X 1.25	1.75	1.75	3.25	6.75
MM	165	165	369	89	62	124	76	3		44	44	83	171

UNITS	P <sup>2</sup>	U -.0005	AA <sup>5</sup>	AB	AC	AF	AG	AH	AJ	AK -.003	BA	BB MIN	BC
IN	6.50	.6250	.75	6.13	4.53	1.59	10.34	2.06	5.875	4.500	2.75	.13	.13
MM	165	15.875		156	115	40	263	52	149.23	114.30	70	3	3

UNITS	BD MAX	BF <sup>3,4</sup>	BS	ES MIN	EV	FAH	FES MIN	FU -.0005	DE SQ KEY	ODE SQ KEY
IN	6.50	3/8-16 X .75	4.84	1.41	1.00	1.75	1.41	.6250	.188	.188
MM	165		123	36	25	44	36	15.875	4.78	4.78

TOLERANCES	
FACE RUNOUT	.004 TIR
PERMISSIBLE ECCENTRICITY OF MOUNTING RABBET	.004 TIR
PERMISSIBLE SHAFT RUNOUT	.002 TIR

1. DIMENSIONS MAY VARY .25" DUE TO CASTING AND/OR FABRICATION VARIATIONS
2. LARGEST MOTOR WIDTH
3. ALL TAP HOLES ARE UNIFIED NATIONAL COARSE, RIGHT HAND THREAD
4. TAP SIZE AND BOLT PENETRATION ALLOWANCE
5. BASIC CONDUIT FITTING SIZE. HOLE OPENING ON THE SIDE OF THE CONDUIT BOX (REPRESENTED BY A DASHED CIRCLE) WILL ACCEPT A .50 BASIC CONDUIT FITTING
6. THE CONDUIT BOX MAY BE LOCATED ON EITHER SIDE OF THE MOTOR. THE CONDUIT OPENING(S) MAY BE LOCATED IN STEPS OF 180° REGARDLESS OF LOCATION. STANDARD LOCATION IS SHOWN WITH THE CONDUIT OPENING DOWN
7. TOLERANCES ARE SHOWN IN INCHES ONLY
8. FRAME REFERENCE; 8.00/1 AND 1.5 HP AND 9.00/2 HP

07-3116/A

**Nidec Motor Corporation**  
St. Louis, Missouri

INFORMATION DISCLOSED ON THIS DOCUMENT IS CONSIDERED PROPRIETARY AND SHALL NOT BE REPRODUCED OR DISCLOSED WITHOUT WRITTEN CONSENT OF NIDEC MOTOR CORPORATION



ISSUED BY  
**R. TIMMERMANN**  
APPROVED BY  
**M. CULLEN**

IHP\_DP\_NMCA (MAR-2011) SOLIDEDGE

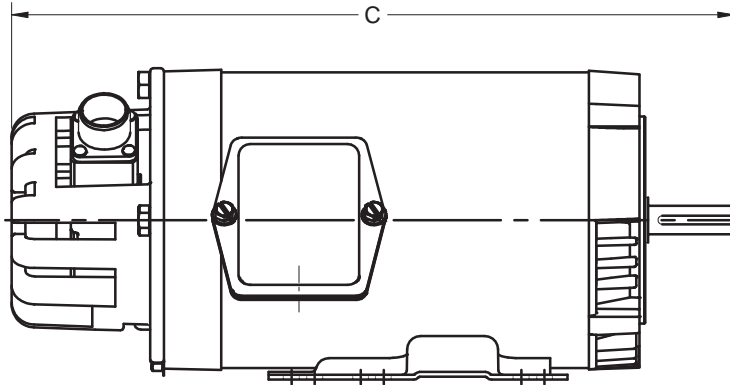
EFFECTIVE:  
**04-JUN-14**

SUPERSEDES:  
**04-APR-14**

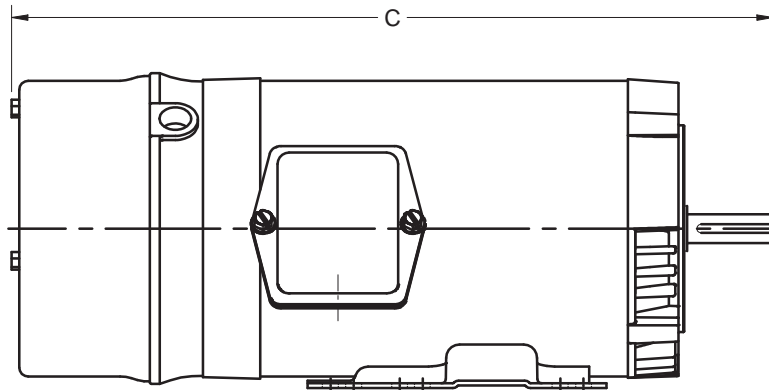
**HORIZONTAL MOTORS**  
UNIMOUNT VECTOR DUTY  
FRAME: 56C  
BASIC TYPE: UTX

PRINT:  
**07-3116**

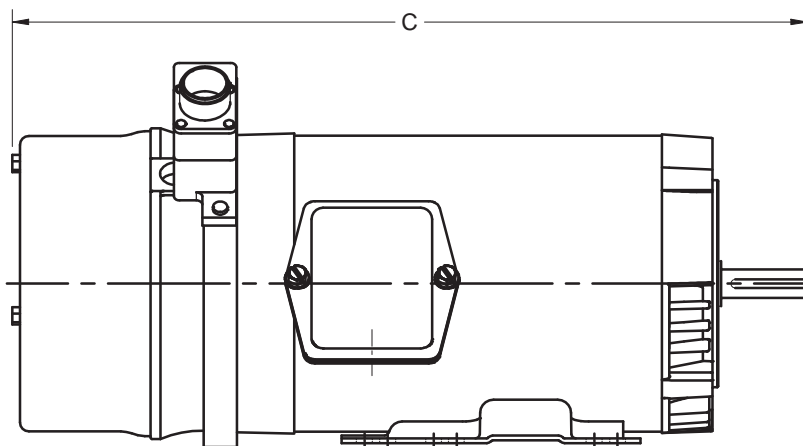
SHEET:  
**2 OF 2**



**ACCOMMODATE SHAFT MOUNTED ENCODER**  
FOR DYNAPAR ENCODER KIT ADD 1.20" TO THE "C" DIMENSION  
FOR EPC ENCODER KIT ADD .76" TO THE "C" DIMENSION



**ACCOMMODATE BRAKE**  
FOR BRAKE ADD 2.13" TO THE "C" DIMENSION



**ACCOMMODATE FLANGE MOUNT ENCODER AND BRAKE**  
FOR BRAKE WITH SL56 ENCODER ADD 2.87" TO THE "C" DIMENSION  
FOR BRAKE WITH 770 ENCODER ADD 3.11" TO THE "C" DIMENSION

