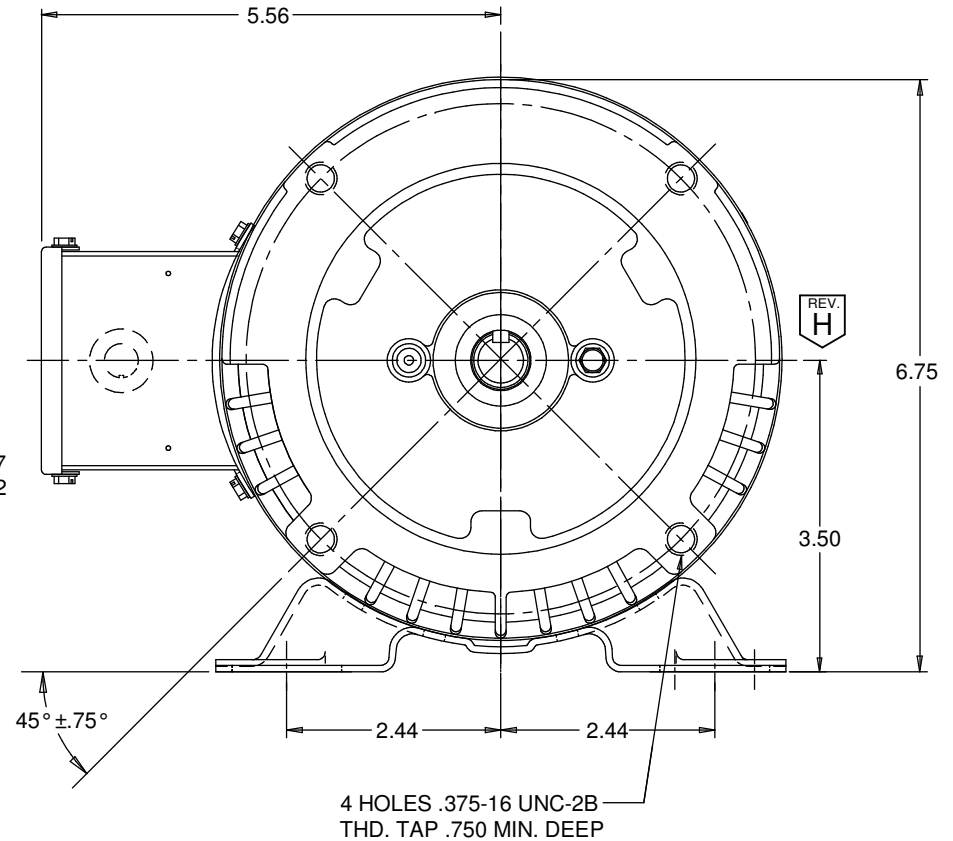
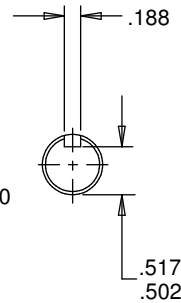
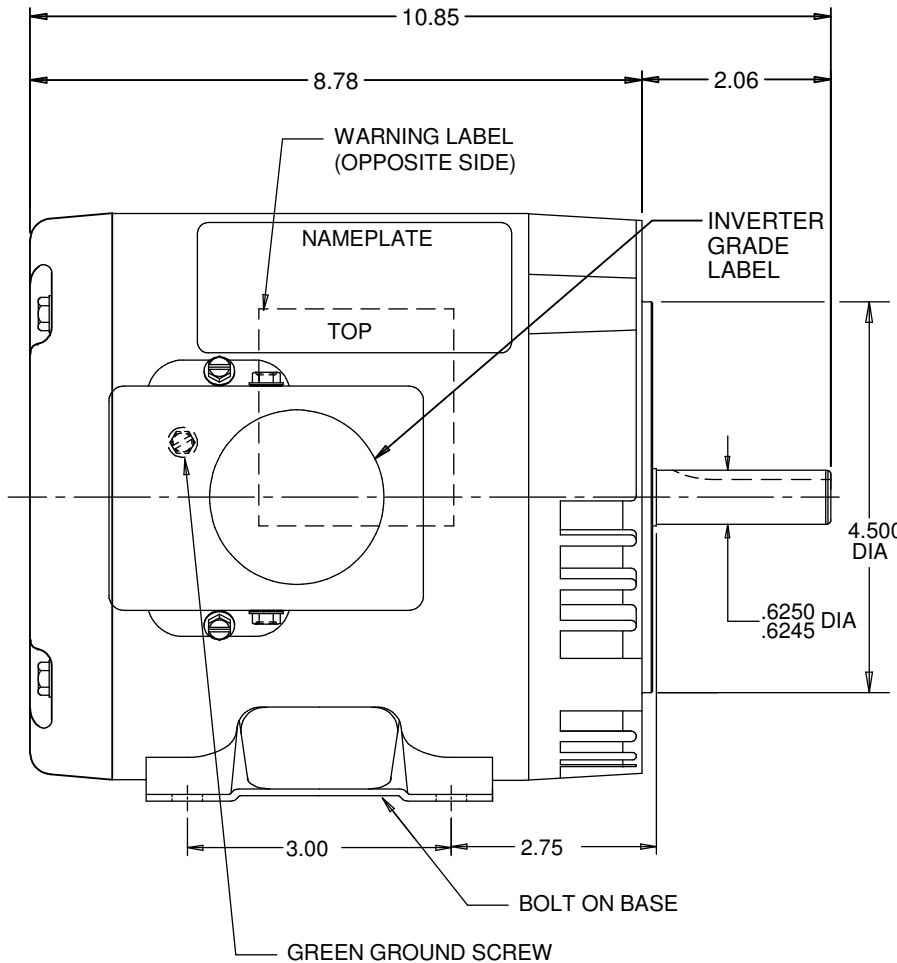


.19 X .19 X 1.38 KEY SHIPPED WITH MOTOR



MODEL	REF	CUSTOMER	HP	VOLTS	AMPS	HZ	RPM	ROTATION	CUSTOMER PN		
J63BGT-143	--	USEM	1/2	208-230/460	2.3-2.4/1.2	60	1140	REVERSIBLE	UN12V3BC		
SHEET NUMBER	REV	REVISION RECORD FOR: ECO: E31432			INFORMATION DISCLOSED ON THIS DOCUMENT IS CONSIDERED PROPRIETARY AND SHALL NOT BE REPRODUCED OR DISCLOSED WITHOUT WRITTEN CONSENT OF NIDEC MOTOR CORPORATION				NIDEC MOTOR CORPORATION		
1 OF 2	H	CHANGED SCREW VIEW TO S05820750 (SCREW WITHOUT SLOT).									
REVISION DATE											
04-JUL-18					ALL DIMENSIONS ARE FOR REFERENCE ONLY UNLESS TOLERANCE IS GIVEN						
ISSUED BY	G. ISASSI	REVIEWED BY	J. SALINAS	ENGINEER APPROVED	K. HOLTZSCHER			TITLE	CODE	ITEM NO.	SIZE
				ASSEMBLED VIEW				V01	743451	B	

NIDEC MOTOR CORPORATION 13-Jun-18