

EFFECTIVE:
23-FEB-12

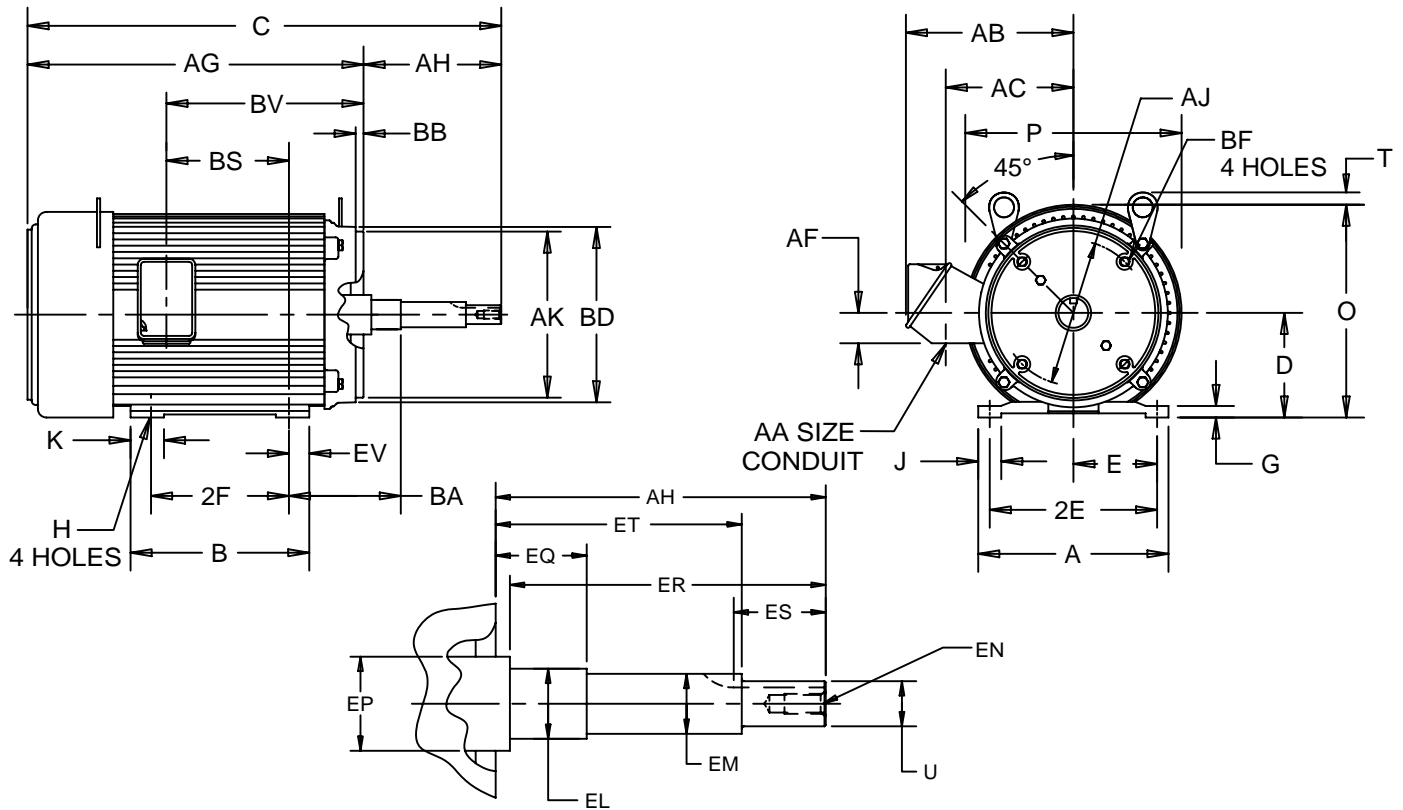
HORIZONTAL MOTORS UNIMOUNT CLOSE-COUPLED PUMP

PRINT:
07-2867

SUPERSEDES:
23-JUN-09

FRAME: 254-256JP
BASIC TYPE: UT-1

SHEET:
1 OF 1



ALL DIMENSIONS ARE IN INCHES AND MILLIMETERS

UNITS	A	D -.06	E	2E ±.03	G	H +.05	J	K	O	P ²	T	U -.0005
IN	11.38	6.25	5.00	10.00	.69	.53	1.38	2.00	12.94	13.38	0	1.2495
MM	289	159	127	254	17	13	35	51	329	340	0	31.737

UNITS	AA	AB	AC	AF	AH ±.031	AJ	AK -.003	BA	BB -.062	BD MAX	BF ⁷
IN	1 1/4	9.94	7.63	1.81	8.125	7.25	8.500	7.38	.313	10.00	1/2-13X3/4
MM		252	194	46	206.38	184	215.90	187	7.94	254	

UNITS	EL -.002	EM -.0005	EN ⁷	EP MIN	EQ ±.015	ER MIN	ES MIN	ET ±.015	EV	SQ MIN
IN	1.750	1.3750	1/2-13X1	1.75	2.375	8.13	2.53	5.875	1.22	.250
MM	44.45	34.925		44	60.33	206	64	149.23	31	6.35

FRAME	UNITS	B	C	2F ±.03	AG	BS	BV
254JP	IN	10.69	28.25	8.25	20.13	6.88	11.88
	MM	271	718	210	511	175	302
256JP, B256JP	IN	12.44	30.00	10.00	21.88	8.63	13.63
	MM	316	762	254	556	219	346

TOLERANCES	
FACE RUNOUT	.004 T.I.R.
PERMISSIBLE ECCENTRICITY OF MOUNTING RABBET	.004 T.I.R.
PERMISSIBLE SHAFT RUNOUT	.002 T.I.R.

- 1: ALL ROUGH CASTING DIMENSIONS MAY VARY BY .25" DUE TO CASTING AND/OR FABRICATION VARIATIONS.
- 2: LARGEST MOTOR WIDTH.
- 3: FRAME REFERENCE: 12.500"/254 // 14.250"/256

- 4: CONDUIT BOX MAY BE LOCATED ON EITHER SIDE OF MOTOR. CONDUIT OPENINGS MAY BE LOCATED IN STEPS OF 90 DEGREES REGARDLESS OF LOCATION. STANDARD AS SHOWN WITH CONDUIT OPENING DOWN.
- 5: TOLERANCES SHOWN ARE IN INCHES ONLY.
- 6: ALL TAPPED HOLES ARE UNIFIED NATIONAL COARSE, RIGHT HAND THREAD.
- 7: TAP SIZE AND BOLT PENETRATION ALLOWANCE.

07-2867/-

Nidec Motor Corporation
St. Louis, Missouri

INFORMATION DISCLOSED ON THIS DOCUMENT IS CONSIDERED PROPRIETARY AND SHALL NOT BE REPRODUCED OR DISCLOSED WITHOUT WRITTEN CONSENT OF NIDEC MOTOR CORPORATION



ISSUED BY ECO 46325-02
R. KING
APPROVED BY
K. POTTER

IHP_DP_NMCA (MAR-2011) SOLIDEDGE