

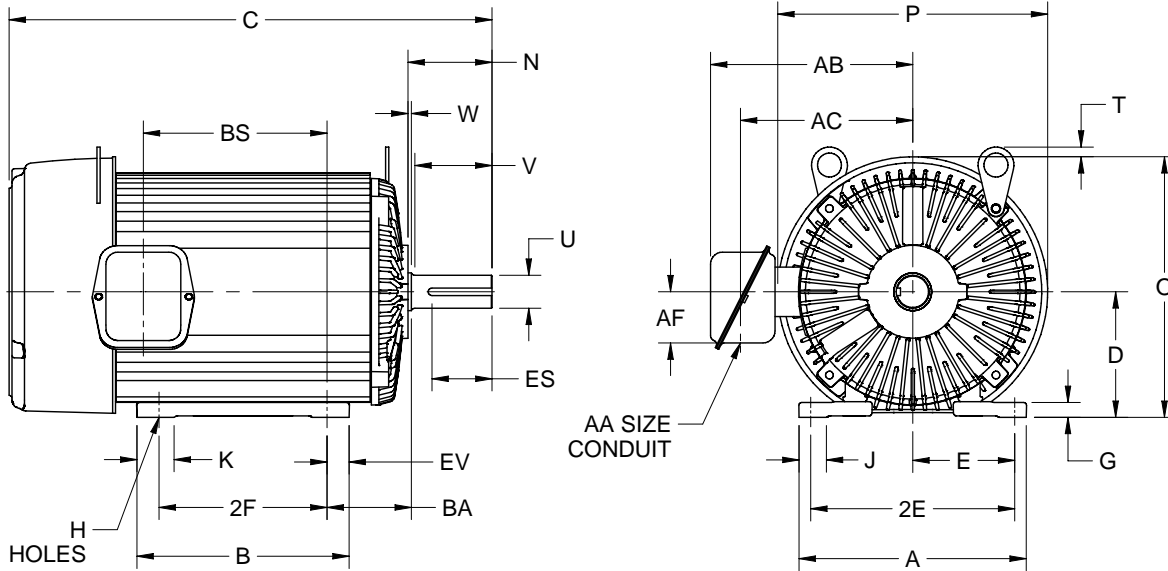
EFFECTIVE:  
18-MAR-13

SUPERSEDES:  
08-OCT-12

**HORIZONTAL MOTORS**  
UNIMOUNT  
FRAME: 210T  
BASIC TYPE: UT

PRINT:  
07-2877

SHEET:  
1 OF 1



ALL DIMENSIONS ARE IN INCHES AND MILLIMETERS

	A	D -.06	E	2E ±.03	G	H +.05	J	K
IN	9.50	5.25	4.25	8.50	.63	.41	1.16	1.56
MM	241	133	108	216	16	10	29	40

	N	O	P <sup>2</sup>	T	U -.0005	V MIN	W	AA
IN	3.50	10.88	11.25	.41	1.3750	3.13	.13	1.00
MM	89	276	286	10	34.925	80	3	

	AB	AC	AF	BA	ES MIN	EV	SQ KEY
IN	8.44	7.19	2.13	3.50	2.41	.94	.313
MM	214	183	54	89	61	24	7.95

	FRAME	B	C	2F ±.03	BS
IN	213T	7.38	18.63	5.50	6.16
MM		187	473	140	156
IN	215T	8.84	20.13	7.00	7.66
MM		225	511	178	194

1. DIMENSIONS MAY VARY BY .25" DUE TO CASTING AND/OR FABRICATION VARIATIONS.
2. LARGEST MOTOR WIDTH.
3. TOLERANCES SHOWN ARE IN INCHES ONLY.
4. CONDUIT BOX MAY BE LOCATED ON EITHER SIDE OF MOTOR. CONDUIT OPENING MAY BE LOCATED IN STEPS OF 90 DEGREES REGARDLESS OF LOCATION. STANDARD AS SHOWN WITH CONDUIT OPENING DOWN.
5. FRAME REFERENCE: 9.500"/213//11.000"/215

07-2877/C

**Nidec Motor Corporation**  
St. Louis, Missouri

INFORMATION DISCLOSED ON THIS DOCUMENT IS CONSIDERED PROPRIETARY AND SHALL NOT BE REPRODUCED OR DISCLOSED WITHOUT WRITTEN CONSENT OF NIDEC MOTOR CORPORATION



ISSUED BY  
**R. KING**  
APPROVED BY  
**J. O'BRIEN**

IHP\_DP\_NMCA (MAR-2011) SOLIDEDGE