

EFFECTIVE:
24-MAR-14

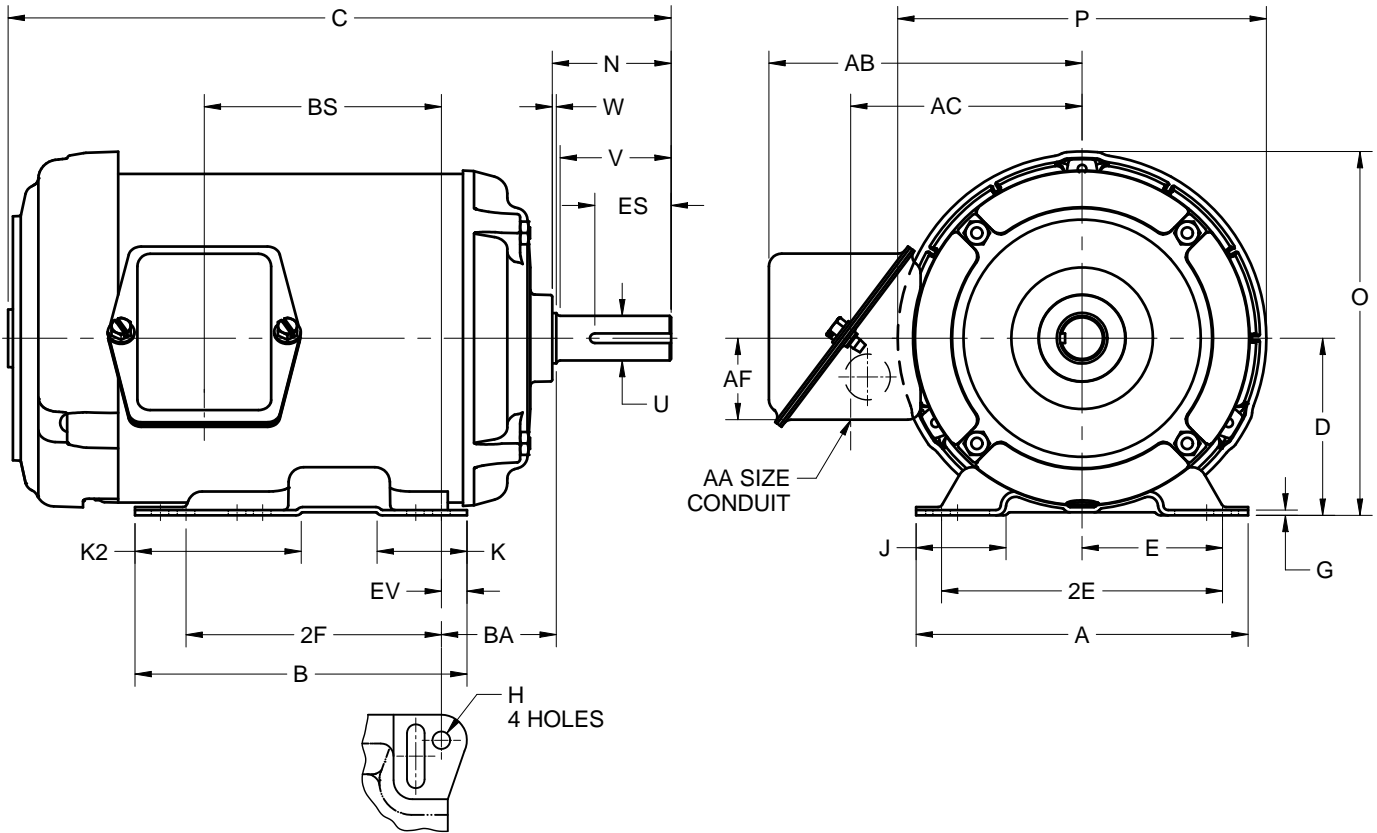
HORIZONTAL MOTORS

PRINT:
07-3110

SUPERSEDES:
NEW

TEFC
FRAME: 143, 145T
BASIC TYPE: UT

SHEET:
1 OF 1



ALL DIMENSIONS ARE IN INCHES AND MILLIMETERS

UNITS	A	B	C	D	E	2E	G	H	J	K	K2	N	O
IN	6.50	6.50	12.97	3.50	2.75	5.50	.13	.34	1.75	1.75	3.25	2.38	7.16
MM	165	165	329	89	70	140	3	9	44	44	83	60	182

UNITS	P ²	U	V	W	AA ³	AB	AC	AF	BA	BS	ES	EV	SQ KEY
IN	7.31	.8750	2.00	.13	.75	6.13	4.53	1.59	2.25	4.64	1.41	.50	.188
MM	186	22.225	51	3		156	115	40	57	118	36	13	4.78

UNITS	FRAME	2F
IN	143T	4.00
MM		102
IN	145T	5.00
MM		127

1. DIMENSIONS MAY VARY .25" DUE TO CASTING AND/OR FABRICATION VARIATIONS
2. LARGEST MOTOR WIDTH
3. BASIC CONDUIT FITTING SIZE. HOLE OPENING ON THE SIDE OF THE CONDUIT BOX (REPRESENTED BY A DASHED CIRCLE) WILL ACCEPT A .50 BASIC CONDUIT FITTING
4. THE CONDUIT BOX MAY BE LOCATED ON EITHER SIDE OF THE MOTOR. THE CONDUIT OPENING(S) MAY BE LOCATED IN STEPS OF 180° REGARDLESS OF LOCATION. STANDARD LOCATION IS SHOWN WITH THE CONDUIT OPENING DOWN
5. TOLERANCES ARE SHOWN IN INCHES ONLY
6. FRAME REFERENCE; 6.75/143/145

07-3110/-

Nidec Motor Corporation
St. Louis, Missouri

INFORMATION DISCLOSED ON THIS DOCUMENT IS CONSIDERED PROPRIETARY AND SHALL NOT BE REPRODUCED OR DISCLOSED WITHOUT WRITTEN CONSENT OF NIDEC MOTOR CORPORATION



ISSUED BY
R. TIMMERMANN
APPROVED BY
M. CULLEN

IHP_DP_NMCA (MAR-2011) SOLIDEDGE