

VAR	MODEL	CATALOG NO.	C	HP	VOLTS	HZ	RPM	BASE REQUIREMENT	PROTECTOR
001	P63FYA-4379	T1S2AH	12.38	1	208-230/460	60	1725	N56H	NONE
002	P63FYE-4383	T3S2SAH	12.88	1 1/2	208-230/460	60	1725	N56H	NONE
003	P63FZD-4402	T2S2AH	12.88	2	208-230/460	60	1725	N56H	NONE
004	P63GAC-4421	T3S1SAH	12.38	1 1/2	208-230/460	60	3450	N56H	NONE
005	P63GAW-4437	T2S1AH	12.38	2	208-230/460	60	3450	N56H	NONE
006	P63GFG-4533	T2S1G	12.38	2	575	60	3450	N56H	NONE
007	P63GHH-4575	T1S2GH	12.38	1	575	60	1725	N56H	NONE

SEE CHART FOR
BASE REQUIREMENT
(IF REQ'D)

SHAFT KEY TAPED TO MOTOR

ROTATION: REVERSIBLE

SHEET NUMBER	REV	REVISION RECORD FOR: C7557-00		
1 OF 2	H	ADDED BASE TYPE "BASE REQUIREMENT"		
		CHANGED VIEW OF BASE.		
		ADDED N56 BASE (PAGE 2)		
		ADDED NOTES.		
REVISION DATE		07-MAY-13		
ISSUED BY		B. ANDRADE	REVIEWED BY	J. JUAREZ
			ENGINEER APPROVED	T. BOSSALLER

INFORMATION DISCLOSED ON THIS DOCUMENT IS CONSIDERED PROPRIETARY AND SHALL NOT BE REPRODUCED OR DISCLOSED WITHOUT WRITTEN CONSENT OF NIDEC MOTOR CORPORATION

NIDEC MOTOR CORPORATION

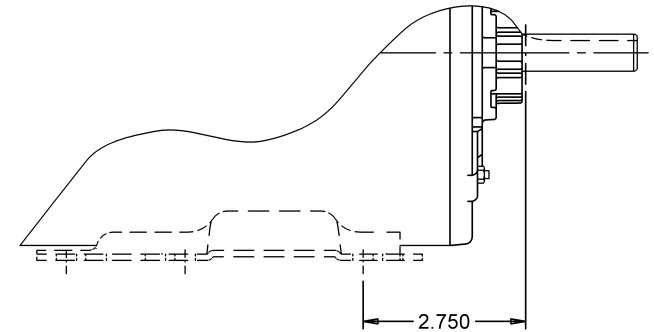
ALL DIMENSIONS ARE FOR REFERENCE ONLY UNLESS TOLERANCE IS GIVEN

TITLE		CODE	ITEM NO.	SIZE
ASSEMBLED VIEW		V01	766721	B

NIDEC MOTOR CORPORATION 07-May-13



VAR	MODEL	CATALOG NO.	C	HP	VOLTS	HZ	RPM	BASE REQUIREMENT	PROTECTOR
008	P63GHT-4584	T13S2G	11.38	1/3	575	60	1725	STD N56	NONE
009	P63GGT-4564	T34S2G	11.88	3/4	575	60	1725	STD N56	NONE
010	P63FGN-4329	13799802	12.88	1 1/2	208-230/460	60/50	1725 & 1425	N56H	NONE
011	P63GMM-4660	T361AH	13.38	3	208-230/460	60	3450	N56H	NONE
012	P63FSN-4329	481470	12.88	1 1/2	208-230/460	60/50	1725 & 1425	N56H	NONE



PARTIAL VIEW
SHOWING N56H BASE

SHEET NUMBER 2 OF 2	REV H	REVISION RECORD FOR: C7557-00			INFORMATION DISCLOSED ON THIS DOCUMENT IS CONSIDERED PROPRIETARY AND SHALL NOT BE REPRODUCED OR DISCLOSED WITHOUT WRITTEN CONSENT OF NIDEC MOTOR CORPORATION	NIDEC MOTOR CORPORATION		
	REVISION DATE 07-MAY-13	ADDED BASE TYPE "BASE REQUIREMENT" ADDED N56 BASE.						
ISSUED BY B. ANDRADE		REVIEWED BY J. JUAREZ	ENGINEER APPROVED T. BOSSALLER		ALL DIMENSIONS ARE FOR REFERENCE ONLY UNLESS TOLERANCE IS GIVEN			
TITLE ASSEMBLED VIEW					CODE V01	ITEM NO. 766721	SIZE B	

NIDEC MOTOR CORPORATION 07-May-13