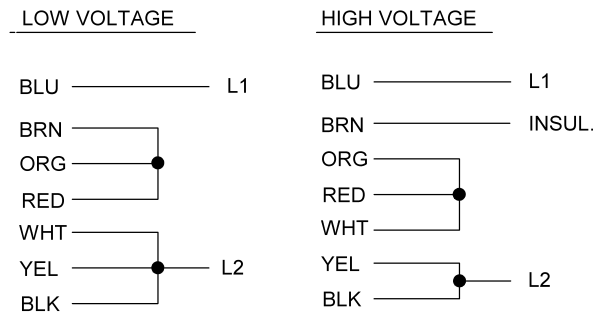


ROTATION:
CCW SWITCH END REVERSIBLE
TO REVERSE ROTATION INTERCHANGE
BLACK AND RED LEADS

NOTE:
SECURE ALL LEADS TO PREVENT
INTERFERENCE WITH MOVING PARTS.

CONNECTIONS



C 2P DUAL VOLT REV W/CAP & PROT



NIDEC CONFIDENTIAL
NIDEC MOTOR CORPORATION 03-Oct-13

REVISION DESCRIPTION FOR: C8396-09	SCALE: NONE	UNITS: IN	TITLE: DIAGRAM OF CONNECTIONS	NIDEC MOTOR CORPORATION
CHANGED BACKGROUND	TOLERANCES ON DIMENSIONS (UNLESS OTHERWISE SPECIFIED)		ISSUED BY: E. VICENCIO	
MATERIAL:	INCHES: .XX = ±.01	mm: .XXX = ±.005	APPROVED BY: J. SALAZAR	REVISION DATE: 03-OCT-13
	ANGLES: X° = ±1°		CODE: D04	DWG NO.: 759379
			REV: A	SHEET NUMBER: 1 OF 1
				DWG SIZE: B