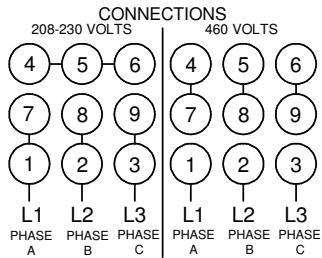
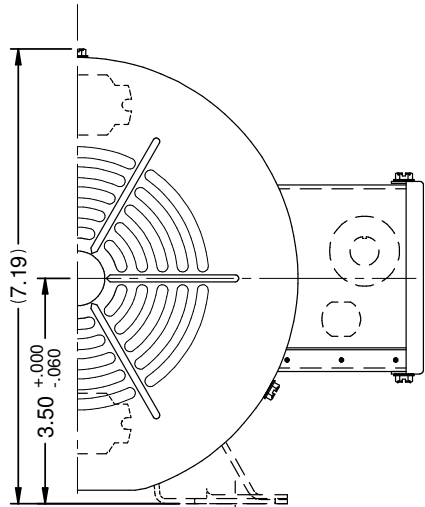
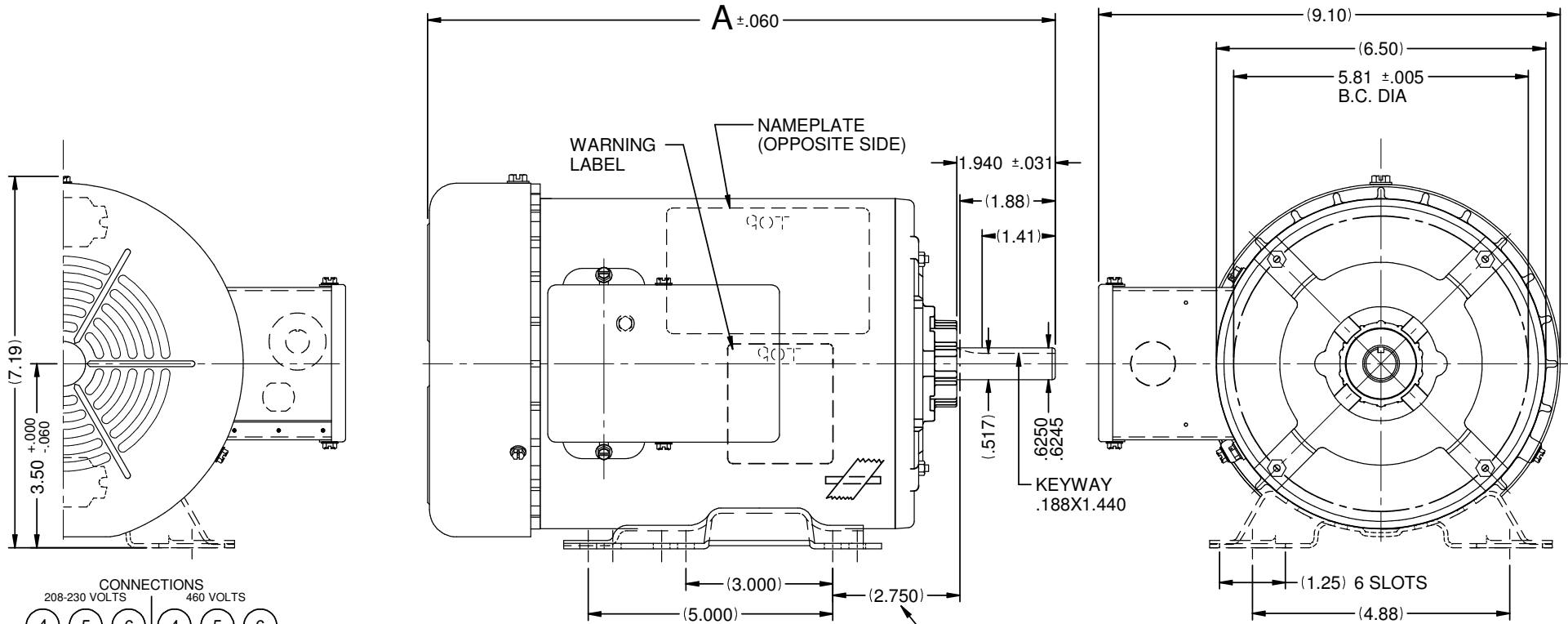


VAR	MODEL	CUSTOMER	CATALOG NO.	A	B	C	PROTECTOR	BASE REQUIREMENT	HP	VOLTS	SF	AMPS	HZ	RPM	CONN VOLTS	DESCRIPTION / REMARKS
001	P63GAW-1469	USEM	T2P1AH	12.88	-----	-----	NONE	56H	2.0	208-230/460	1.15	5.1-5.1/10.3	60	3450	460	TEFC



TO REVERSE ROTATION
INTERCHANGE ANY TWO LINE LEADS

SEE CHART FOR
BASE REQUIREMENT
(IF REQ'D)

ROTATION: REVERSIBLE

REFER TO S.E.I.M. 24-1

NIDEC MOTOR CORPORATION 07-Mar-16

REVISION RECORD FOR: JC 70792

NEW DRAWING CREATED.

TOLERANCES ON DIMENSIONS
(UNLESS OTHERWISE SPECIFIED)

INCHES
.XX = ±.010
.XXX = ±.005

mm

ANGLES X° = ±1°

NIDEC MOTOR CORPORATION

INFORMATION DISCLOSED ON THIS DOCUMENT IS CONSIDERED PROPRIETARY AND SHALL NOT BE
REPRODUCED OR DISCLOSED WITHOUT WRITTEN CONSENT OF NIDEC MOTOR CORPORATION

REVISION DATE:
07-MAR-16

ISSUED BY: **A. DEL ANGEL**

ENGINEER APPROVED: **T. BOSALLER**

TITLE
CUSTOMER DETAIL DRAWING

CODE
V02

ITEM NO.
810296

REV
--

SHEET NUMBER
1 OF 4

DWG SIZE
B