

EFFECTIVE:  
**04-JUL-11**

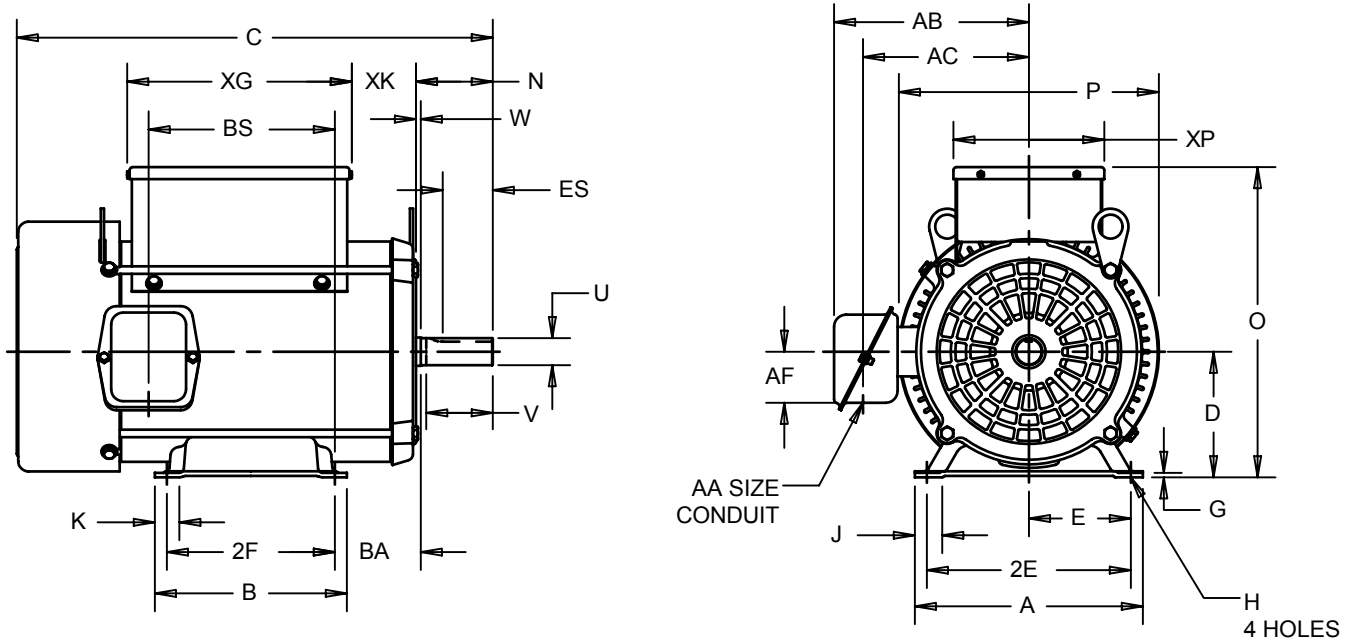
SUPERSEDES:  
**01-JAN-93**

# HORIZONTAL MOTORS

TEFC - SINGLE PHASE  
FRAME: 182T THRU 213T  
BASIC TYPE: SER

PRINT:  
**07-1441**

SHEET:  
**1 OF 1**



ALL DIMENSIONS ARE IN INCHES MILLIMETERS

FRAME	UNITS	A	B	D -.06	E	2E	G	H	J	K	N	P <sup>2</sup>
182T,184T	IN	8.75	6.50	4.50	3.75	7.50	.19	.44	1.13	2	2.88	9.13
	MM	222	165	114	95	191	5	11	29	51	73	232
213T	IN	9.50	6.50	5.25	4.25	8.50	.19	.44	1.06	1.06	3.50	10.84
	MM	241	165	133	108	216	5	11	27	27	89	275

FRAME	UNITS	U -.0005	V MIN	W	AA	AB	AC	AF	BA	ES MIN	SQ KEY
182T,184T	IN	1.1250	2.63	.13	.75	7.38	6.19	2.13	2.75	1.81	.250
	MM	28.575	67	3		187	157	54	70	46	6.35
213T	IN	1.3750	3.25	.13	1.00	8.13	6.91	2.13	3.50	2.44	.313
	MM	34.925	83	3		206	175	54	89	62	7.94

FRAME	UNITS	HP	C	2F	O	BS	XG	XK	XP
182T	IN	2	15.19	4.50	10.41	4.78	3.94	4.06	2.19
	MM		386	114	264	121	100	103	56
184T	IN	3	17.69	5.50	10.47	7.28	6.03	4.84	4.25
	MM		449	140	266	185	153	123	108
213T	IN	5	19.59	5.50	13.06	7.25	9.38	2.56	6.28
	MM		498	140	332	184	238	65	160

- 1: ALL ROUGH CASTING DIMENSIONS MAY VARY BY .25" DUE TO CASTING AND OR FABRICATION VARIATIONS.
- 2: LARGEST MOTOR WIDTH.
- 3: CONDUIT OPENINGS MAY BE LOCATED IN STEPS OF 90°. STANDARD AS SHOWN WITH CONDUIT OPENING DOWN.
- 4: TOLERANCE SHOWN ARE IN INCHES ONLY.

07-1441/A

**Nidec Motor Corporation**  
St. Louis, Missouri

INFORMATION DISCLOSED ON THIS DOCUMENT  
IS CONSIDERED PROPRIETARY AND SHALL NOT BE  
REPRODUCED OR DISCLOSED WITHOUT WRITTEN  
CONSENT OF NIDEC MOTOR CORPORATION



ISSUED BY  
**A. HINGANKAR**  
APPROVED BY  
**R. KING**

IHP\_DP\_NMCA (MAR-2011) SOLIDEDGE