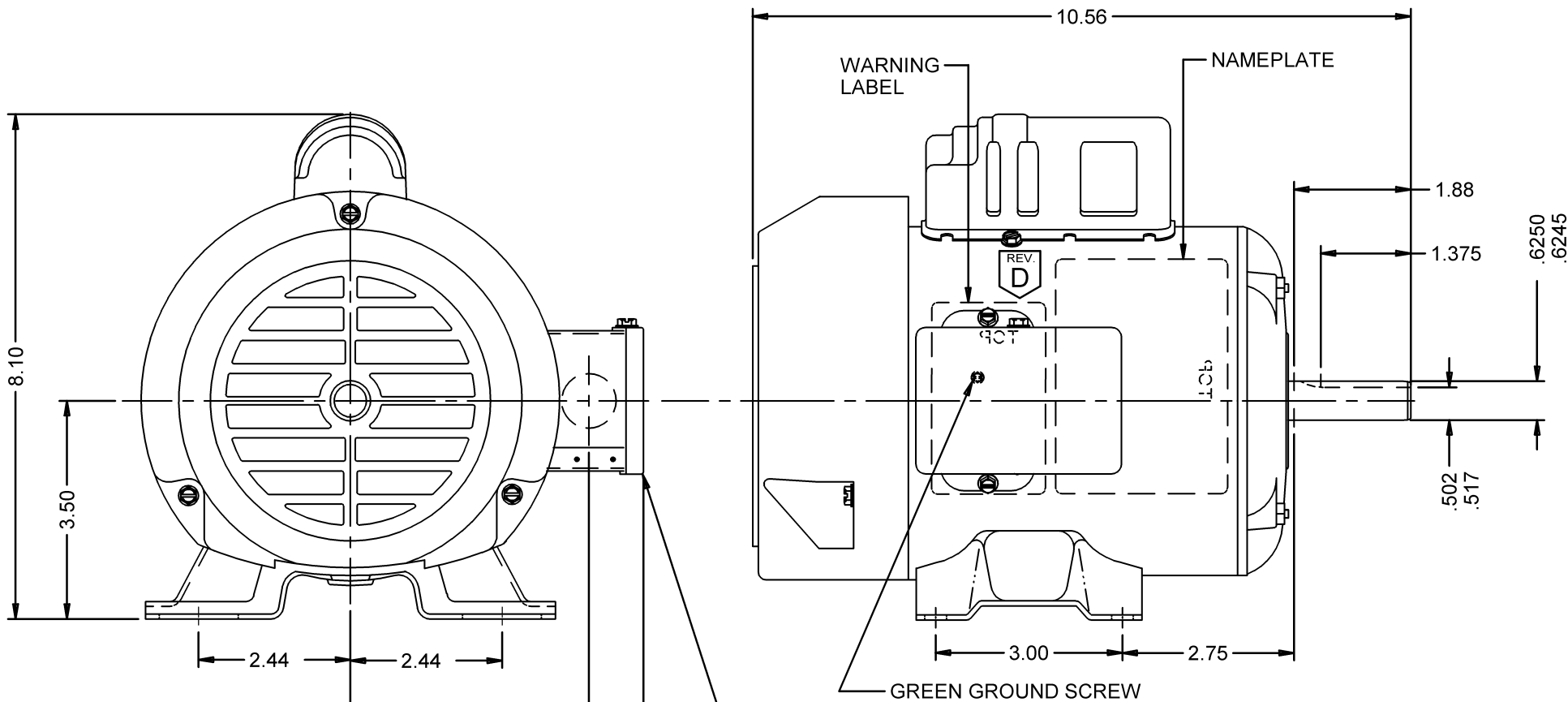


SHAFT KEY TAPED TO MOTOR



(6) LEADS 18, 2/64 THICK INSL. TO EXTEND BEYOND MOTOR INTO CONDUIT BOX
 BLACK=6.000±1.000, RED=6.000±1.000,
 BLUE=6.000±1.000, YELLOW=6.000±1.000
 ORANGE=6.000±1.000, WHITE=6.000±1.000
 LEADS TO BE SKINNED .750±.125

NIDEC MOTOR CORPORATION 17-Apr-12

MODEL	REF	CUSTOMER	HP	VOLTS	AMPS	HZ	RPM	ROTATION	CUSTOMER PN
C55KJC-4952		USEM	1/3	115/208-230	6.6/3.0-3.3	60	1725	REVERSIBLE	T13C2J

SHEET NUMBER	REV	REVISION RECORD FOR: C5431-00
1 OF 1	D	CHANGED POSITION OF WARNIN LABEL
REVISION DATE		
17-APR-12		

INFORMATION DISCLOSED ON THIS DOCUMENT IS CONSIDERED PROPRIETARY AND SHALL NOT BE REPRODUCED OR DISCLOSED WITHOUT WRITTEN CONSENT OF NIDEC MOTOR CORPORATION

NIDEC MOTOR CORPORATION

ISSUED BY	REVIEWED BY	ENGINEER APPROVED
J. PATROCINIO	V. RIVERA	V. RIVERA

TITLE	CODE	ITEM NO.	SIZE
ASSEMBLED VIEW	V01	764529	A