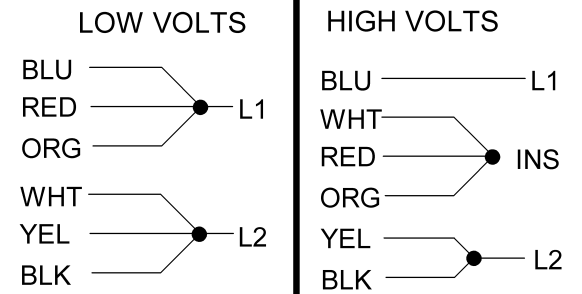
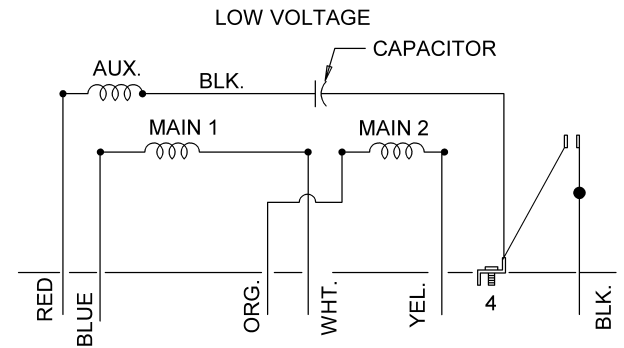


**VIEWING LEAD END**

Note: SECURE ALL LEADAS TO PREVENT INTERFERENCE WITH MOVING PARTS

NIDEC CONFIDENTIAL  
NIDEC MOTOR CORPORATION 03-Oct-13

**POLE-4  
VOLTAGE-DUAL  
SPEED-1  
NO PROTECTOR  
REVERSIBLE**



**TO REVERSE ROTATION  
INTERCHANGE RED & BLK LEADS**

REV. A

REVISION DESCRIPTION FOR: <b>C8396-11</b>	SCALE <b>NONE</b> UNITS <b>IN</b>	TITLE		<b>NIDEC MOTOR CORPORATION</b>
CHANGED MARK FROM EMERSON TO NIDEC	TOLERANCES ON DIMENSIONS (UNLESS OTHERWISE SPECIFIED)	<b>DIAGRAM OF CONNECTIONS</b>		
MATERIAL:	<b>INCHES</b> .X = ±.1 .XX = ±.03 .XXX = ±.015	ISSUED BY <b>B. ANDRADE</b>	APPROVED BY <b>J.I. SALAZAR</b>	REVISION DATE <b>03-OCT-13</b>
	ANGLES X° = ±1°	CODE <b>D04</b>	DWG NO. <b>765596</b>	REV. SHEET NUMBER DWG SIZE <b>A 1 OF 1 B</b>