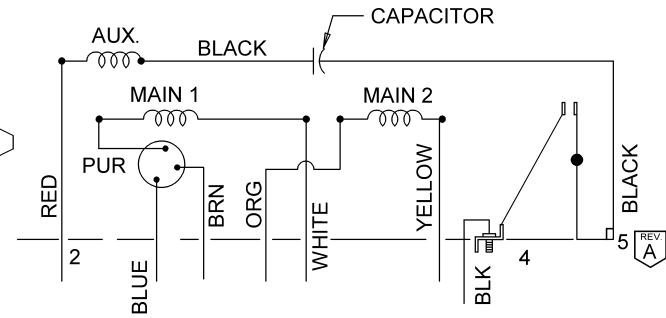


VIEWING LEAD END

**CONNECTIONS**

LOW VOLTAGE		HIGH VOLTAGE	
BLU	L1	BLU	L1
BRN	INS	BRN	INS
BLK		BLK	
ORG	L2	ORG	INS
WHT		WHT	
YEL	L2	YEL	L2
RED		RED	

TO REVERSE INTERCHANGE RED WITH BLACK  
 CONNECTED AS SHOWN  
 ROTATION IS CW LEAD END



POLE - 2  
 VOLTAGE - DUAL  
 SPEED - 1  
 WITH PROTECTOR LEADS  
 ROTATION : REVERSIBLE

NIDEC CONFIDENTIAL  
 NIDEC MOTOR CORPORATION 15-Aug-12

REVISION DESCRIPTION FOR: <b>C6077-00</b>	SCALE <b>NONE</b>	UNITS <b>IN</b>	TITLE	<b>NIDEC MOTOR CORPORATION</b>
UPDATED VIEW SWITCH, AND ADDED NOTE	TOLERANCES ON DIMENSIONS (UNLESS OTHERWISE SPECIFIED)		<b>DIAGRAM OF CONNECTIONS</b>	
MATERIAL:	<b>INCHES</b> .X = ±.1 .XX = ±.03 .XXX = ±.015	<b>mm</b>	ISSUED BY <b>R. MORALES</b>	APPROVED BY <b>M. SCHUETTE</b>
	ANGLES X° = ±1°		REVISION DATE <b>10-AUG-12</b>	REV. SHEET NUMBER <b>A 1 OF 1</b>
			CODE <b>D04</b>	DWG. NO. <b>765580</b>
				DWG. SIZE <b>B</b>