

EFFECTIVE:  
**13-APR-11**

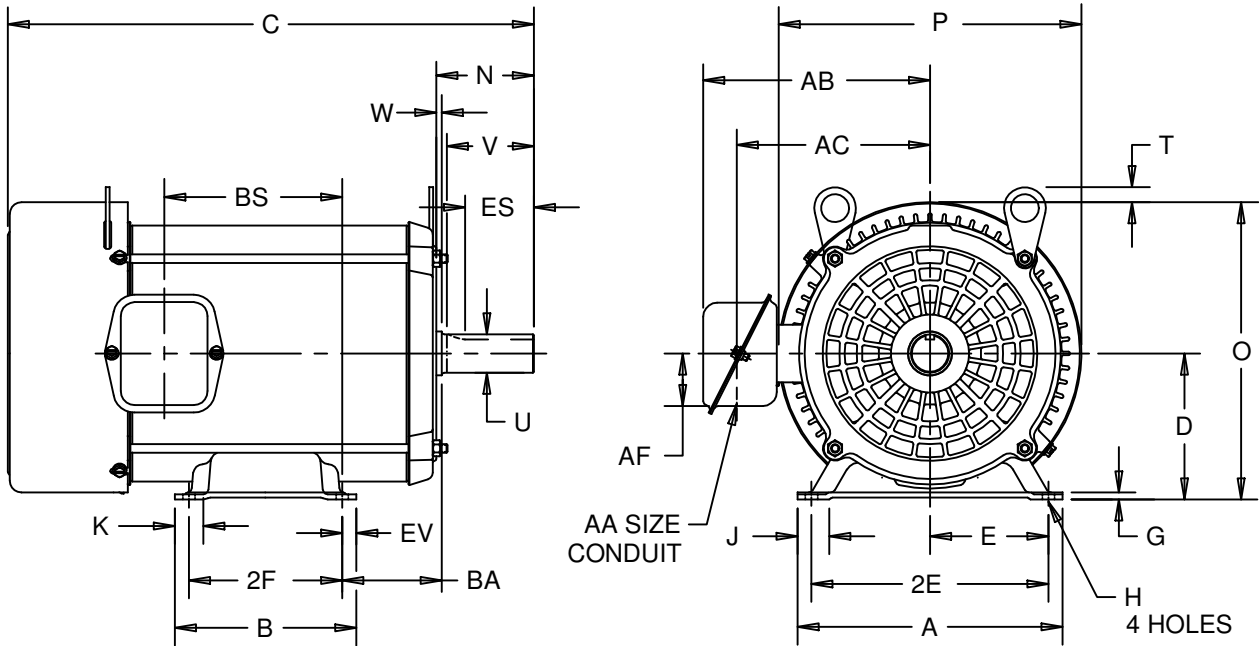
# HORIZONTAL MOTORS

PRINT:  
**07-2048**

SUPERSEDES:  
**09-FEB-10**

TEFC  
FRAME: 210T  
BASIC TYPE: S

SHEET:  
**1 OF 1**



ALL DIMENSIONS ARE IN INCHES AND MILLIMETERS

UNITS	A	C	D -.06	E	G	H +.05	J	K	N	O	P <sup>2</sup>	T
IN	9.50	18.86	5.25	4.25	.19	.44	1.20	1.19	3.50	10.67	10.86	.53
MM	241	479	133	108	5	11	30	30	89	271	276	13

UNITS	U -.0005	V MIN	W	AA	AB	AC	AF	BA	BS	2E ±.03	ES MIN	EV	SQ KEY
IN	1.3750	3.13	.13	1.00	8.13	6.93	2.13	3.50	6.39	8.50	2.19	.50	.313
MM	34.925	80	3		207	176	54	89	162	216	56	13	7.95

BASIC FRAME	UNITS	B	2F ±.03
213T	IN	6.50	5.50
	MM	165	140
215T	IN	8.00	7.00
	MM	203	178

1: ALL ROUGH CASTING DIMENSIONS MAY VARY BY .25"  
DUE TO CASTING AND/OR FABRICATION VARIATIONS.  
2: LARGEST MOTOR WIDTH.

