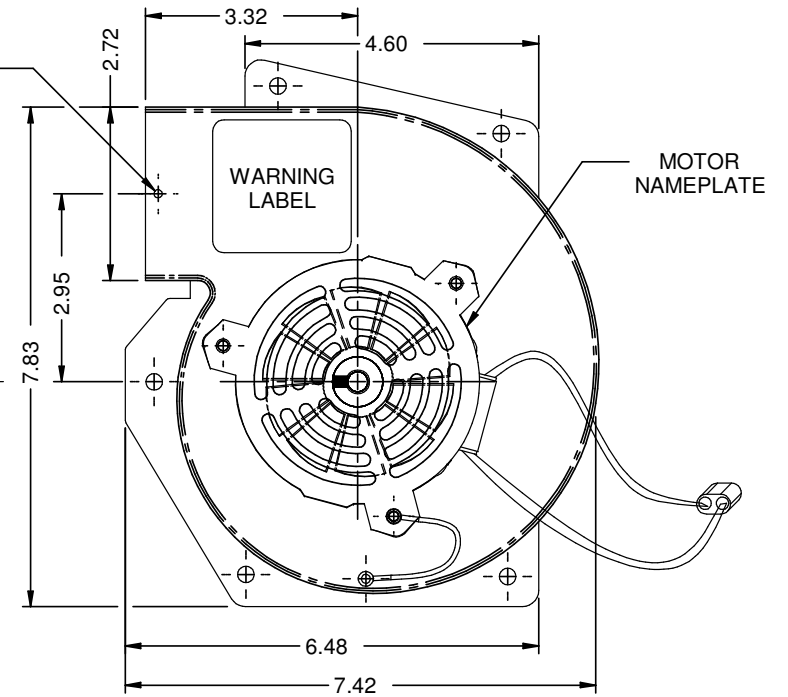
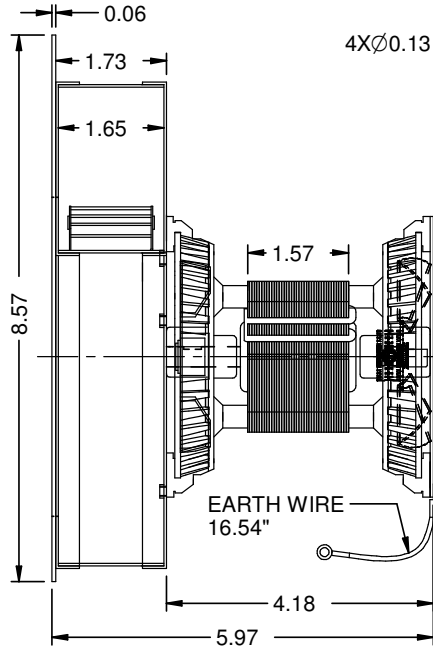
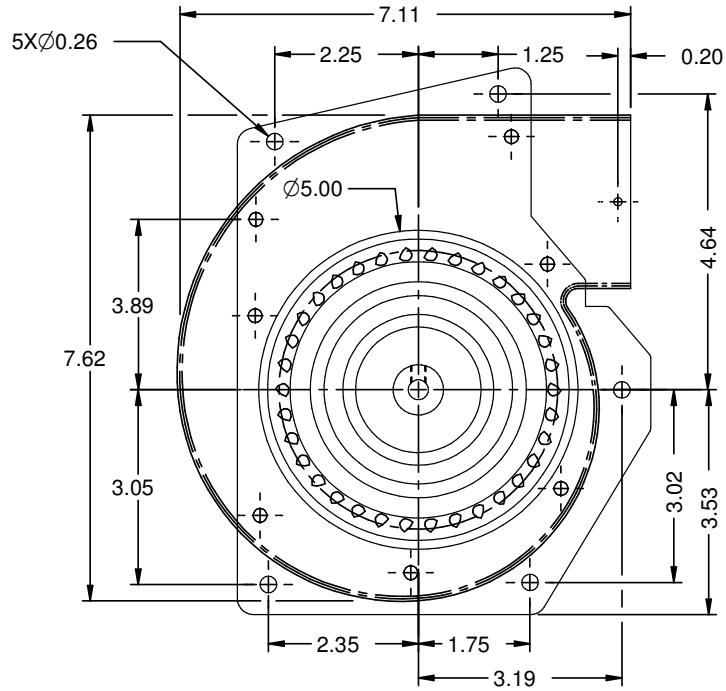
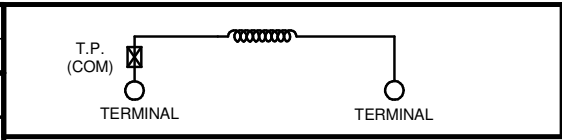


MODEL	HP	VOLTS	AMPS	ROTATION	DESCRIPTION/REMARKS
B1880441900000B	1/30	120V	1.3A	CWSE	PALLET QTY 120
BLOWER SPECIFICATIONS					
CAT #	N143	ROTATION	CWSE		
HP	1/30	BEARING TYPE	BALL BEARING		
VOLTS	120V	MOTOR TYPE	SHADE POLE		
HERTZ	60HZ	PROTECTOR	AUTO		
SPEEDS	1	PHASE	SINGLE		
AMPS	1.3A	INSULATION CLASS	B		
RPM	3000	CFM	93.45@FREE AIR		



NIDEC MOTOR CORPORATION 08-OCT-15

REVISION RECORD FOR:	ECO: E24565
CREATED DRAWING	
ISSUED BY:	F. GARCIA
ENGINEER APPROVED:	T. BOURQUIN

TOLERANCES ON DIMENSIONS (UNLESS OTHERWISE SPECIFIED)	
INCHES .XX = ± .010 .XXX = ± .005	mm
ANGLES X° = ± 1°	

NIDEC MOTOR CORPORATION			
INFORMATION DISCLOSED ON THIS DOCUMENT IS CONSIDERED PROPRIETARY AND SHALL NOT BE REPRODUCED OR DISCLOSED WITHOUT WRITTEN CONSENT OF NIDEC MOTOR CORPORATION			REVISION DATE: 08-OCT-15
TITLE	CODE	ITEM NO.	REV
CUSTOMER DETAIL DRAWING	V02	807918	--
SHEET NUMBER 1 OF 2		DWG SIZE B	