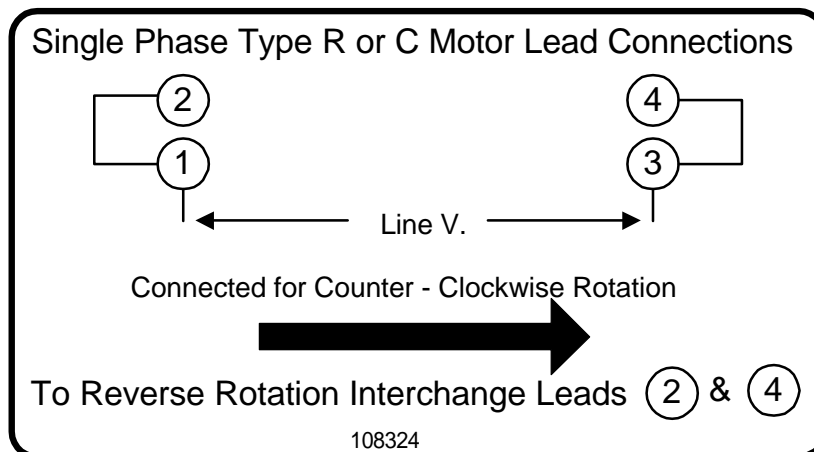




108324

### Motor Wiring Diagram 4 Lead, Single Phase, Single Voltage



Motors are connected for counter clockwise rotation.  
To reverse direction of rotation, interchange leads 2 and 4.