

EFFECTIVE:
18-JUL-11

VERTICAL MOTORS

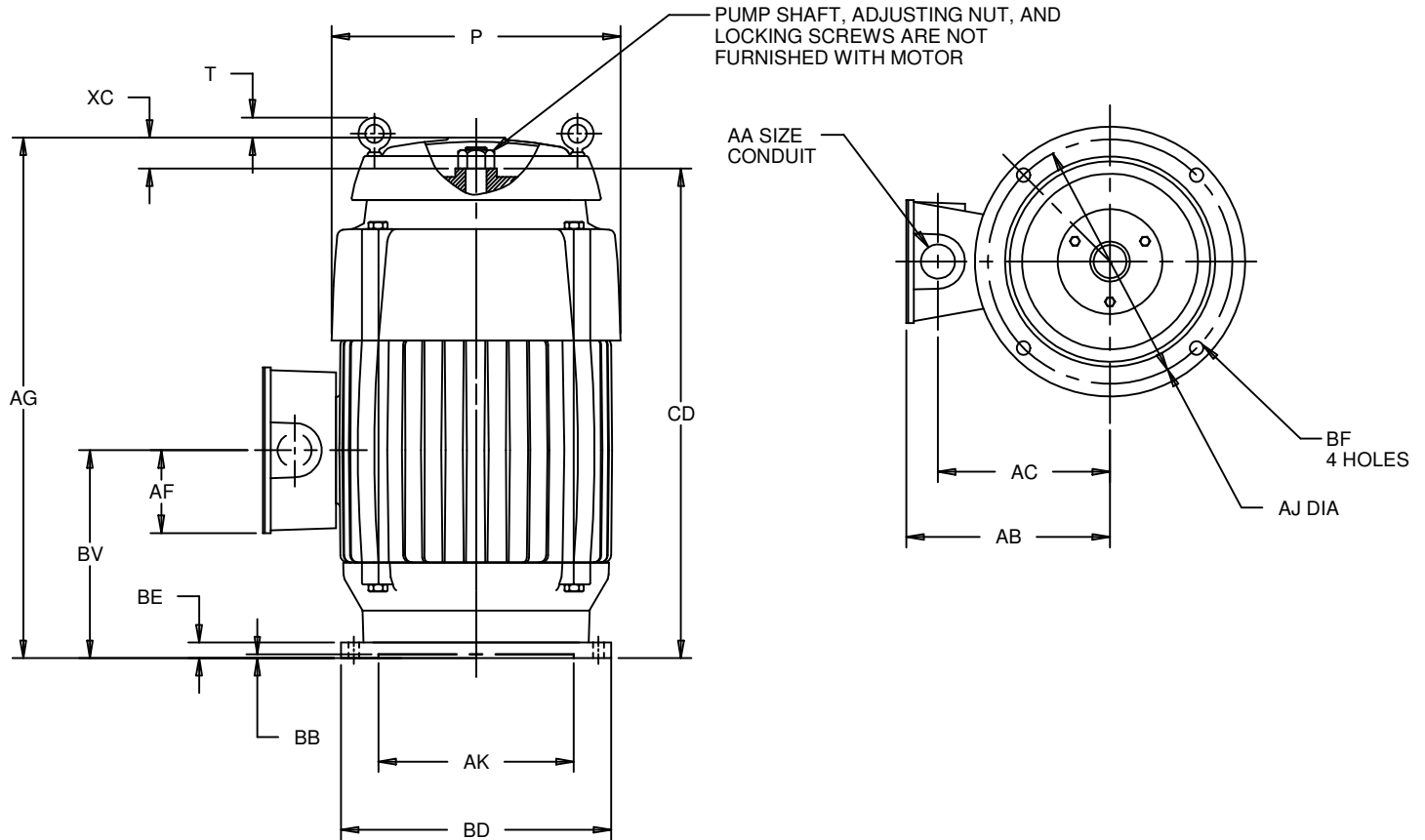
WEATHER PROTECTED TYPE 1

PRINT:
09-2288

SUPERSEDES:
03-OCT-03

FRAME: 213, 215TP
TYPE: AU, AUE, AUI

SHEET:
1 OF 1



ALL DIMENSIONS ARE IN INCHES AND MILLIMETERS

UNITS	P ²	T	AA	AB	AC	AF	AG	AJ	AK -.003
IN	12.88	1.50	1.00	7.88	6.63	3.19	21.25	9.125	8.250
MM	327	38		200	168	81	540	231.78	209.55

UNITS	BB MIN	BD MAX	BE	BF	BV	CD	XC
IN	0.25	10.00	0.94	0.44	8.00	17.56	3.34
MM	6	254	24	11	203	446	85

1. ALL ROUGH DIMENSIONS MAY VARY BY .25" DUE TO CASTING AND/OR FABRICATION VARIATIONS.
2. LARGEST MOTOR WIDTH.
3. CONDUIT OPENINGS MAY BE LOCATED IN STEPS OF 90 DEGREES REGARDLESS OF LOCATION. STANDARD AS SHOWN WITH CONDUIT OPENING DOWN.
4. TOLERANCES SHOWN ARE IN INCHES ONLY.

TOLERANCES	
FACE RUNOUT	.004 T.I.R.
PERMISSIBLE ECCENTRICITY OF MOUNTING RABBET	.004 T.I.R.

09-2288/A

Nidec Motor Corporation
St. Louis, Missouri

INFORMATION DISCLOSED ON THIS DOCUMENT
IS CONSIDERED PROPRIETARY AND SHALL NOT BE
REPRODUCED OR DISCLOSED WITHOUT WRITTEN
CONSENT OF NIDEC MOTOR CORPORATION



ISSUED BY
E. WENDT
APPROVED BY
K. POTTER

IHP_DP_NMCA (MAR-2011) SOLIDEDGE