

EFFECTIVE:
22-AUG-14

DIMENSION PRINT

HOLLOWSHAFT STYLE "P" BASE

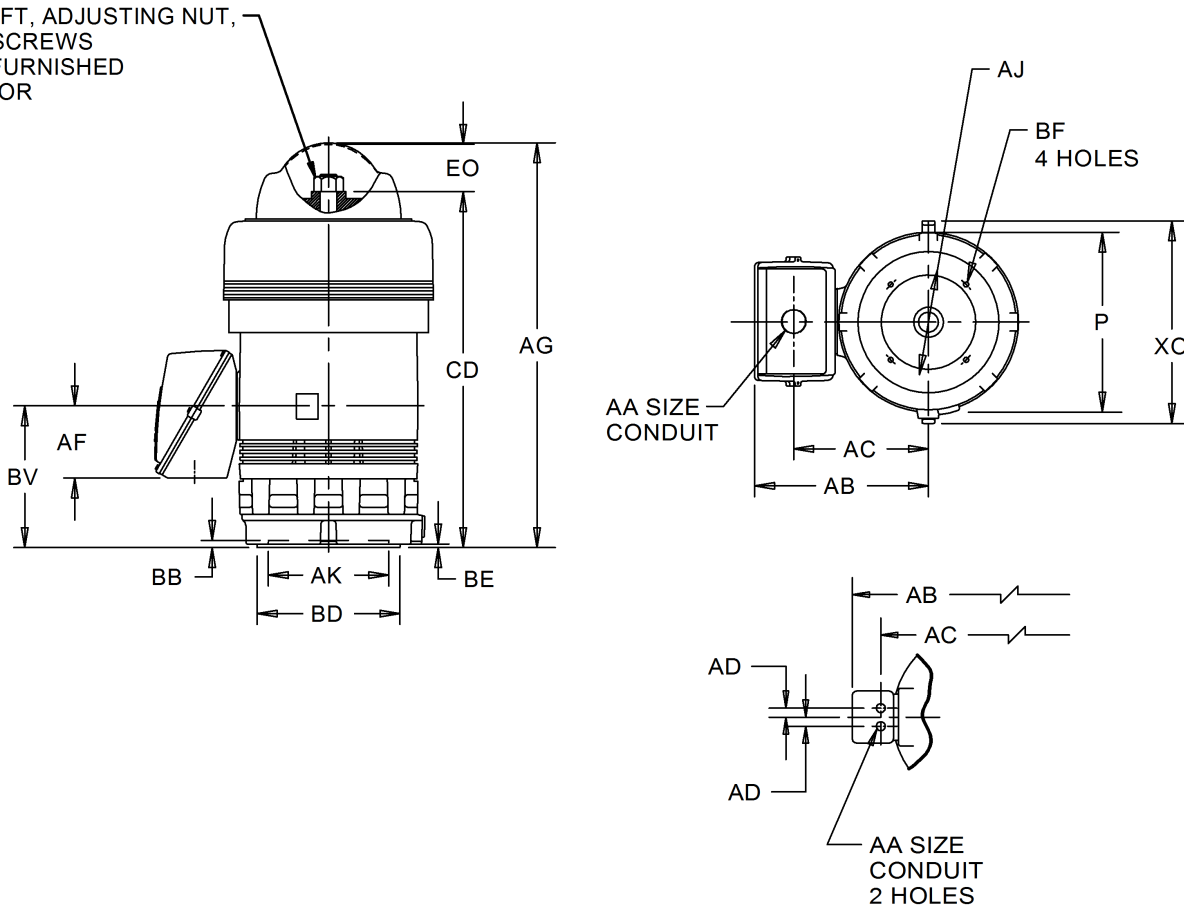
PRINT:
09-1775-44

SUPERSEDES:
04-OCT-02

FRAME: 449TP, TPH
BASIC TYPE: HUS

SHEET:
1 OF 1

PUMP SHAFT, ADJUSTING NUT,
LOCKING SCREWS
ARE NOT FURNISHED
WITH MOTOR



ALL DIMENSIONS ARE IN INCHES

P ²	AG	AJ	AK +.005	BB MIN	BE	BF	BV	CD	EO	XO
29.00	56.31	14.750	13.500	.25	.88	.69	19.38	49.78	6.25	34.00

FRAME	BD MAX
449TP	24.50
449TPH	20.00

MAIN CONDUIT BOX	AB	AC	AD	AF
SIZE 2 - STD	23.25	17.75	2.75	8.06
SIZE 2.5	24.50	18.75	---	10.00
SIZE 3	28.00	20.88	3.00	10.94

AA
2 NPT
2 1/2 NPT
3 NPT
3 1/2 NPT
4 NPT

1: ALL ROUGH DIMENSIONS MAY VARY BY .25" DUE TO CASTING AND/OR FABRICATION VARIATIONS.
2: LARGEST MOTOR WIDTH.

3: CONDUIT OPENING MAY BE LOCATED IN STEPS OF 90 DEGREES REGARDLESS OF LOCATION. STANDARD AS SHOWN WITH CONDUIT OPENING DOWN.

TOLERANCES	
FACE RUNOUT	.007 T.I.R.
PERMISSIBLE ECCENTRICITY OF MOUNTING RABBET	.007 T.I.R.

09-1775/B

Nidec Motor Corporation
St. Louis, Missouri

INFORMATION DISCLOSED ON THIS DOCUMENT IS CONSIDERED PROPRIETARY AND SHALL NOT BE REPRODUCED OR DISCLOSED WITHOUT WRITTEN CONSENT OF NIDEC MOTOR CORPORATION



ISSUED BY
R. KING
APPROVED BY
B. GRAY

IHP_DP_NMCA (MAR-2011) SOLIDEDGE