

EFFECTIVE:
05-FEB-15

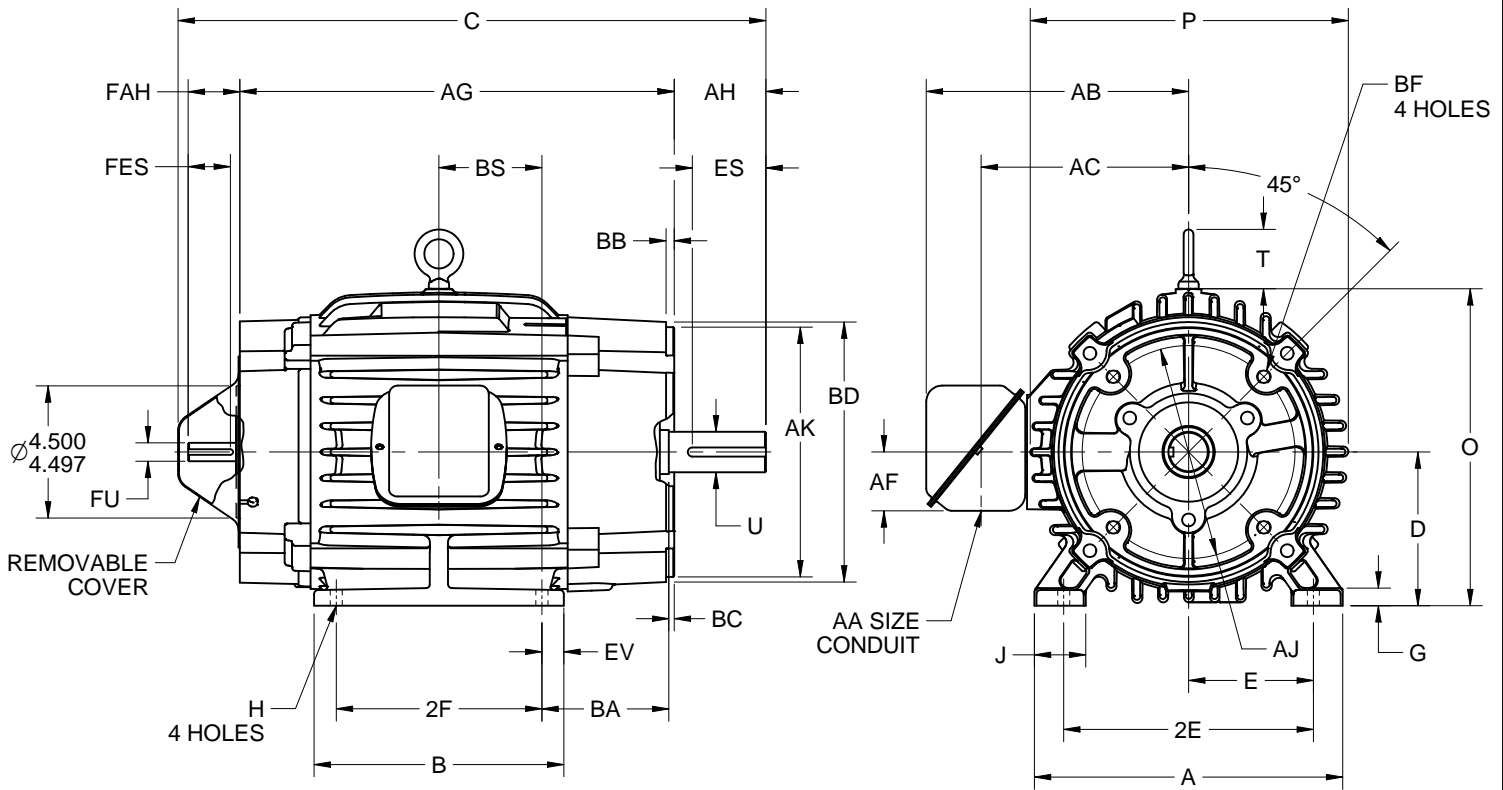
DIMENSION PRINT
INVERTER DUTY WITH C-FACE BRACKET
FRAME: 213, 215TC
BASIC TYPE: CTNI

PRINT:
07-3151

SUPERSEDES:
NEW

SHEET:
1 OF 2

FOR ENCODER AND BRAKE CONFIGURATIONS SEE SHEET 2



ALL DIMENSIONS ARE IN INCHES AND MILLIMETERS

UNITS	A	B	C	D -.06	E	2E ±.03	G	H +.05	J	O	P ²	U -.0005
IN	10.50	8.50	20.00	5.25	4.25	8.50	.63	.41	1.75	10.79	10.84	1.3750
MM	267	216	508	133	108	216	16	10	44	274	275	34.925

UNITS	T	AA	AB	AC	AF	AG	AH	AJ	AK -.003	BA	BB MIN	BC
IN	2.00	1.00	8.94	7.06	2.00	14.81	3.13	7.250	8.500	4.25	.25	.25
MM	51		227	179	51	376	80	184.15	215.90	108	6	6

UNITS	BD MAX	BF ^{3,4}	BS	ES MIN	EV	FAH	FES MIN	FU -.0005	DE SQ KEY	ODE SQ KEY
IN	9.00	1/2-13 X .75	3.50	2.41	.75	1.75	1.38	.6250	.313	.188
MM	229		89	61	19	44	35	15.875	7.95	4.78

FRAME	UNITS	2F ±.03
213TC	IN	5.50
	MM	140
215TC	IN	7.00
	MM	178

TOLERANCES	
FACE RUNOUT	.004 TIR
PERMISSIBLE ECCENTRICITY OF MOUNTING RABBET	.004 TIR
PERMISSIBLE SHAFT RUNOUT	.002 TIR

- DIMENSIONS MAY VARY .25" DUE TO CASTING AND/OR FABRICATION VARIATIONS
- LARGEST MOTOR WIDTH
- ALL TAP HOLES ARE UNIFIED NATIONAL COARSE, RIGHT HAND THREAD
- TAP SIZE AND BOLT PENETRATION ALLOWANCE
- STANDARD ASSEMBLY POSITION F-1 IS SHOWN. F-2 IS PROVIDED WHEN SPECIFIED. CONDUIT OPENINGS MAY BE LOCATED IN STEPS OF 90° REGARDLESS OF THE LOCATION
- TOLERANCES ARE SHOWN IN INCHES ONLY

07-3151/-

Nidec Motor Corporation
St. Louis, Missouri

INFORMATION DISCLOSED ON THIS DOCUMENT IS CONSIDERED PROPRIETARY AND SHALL NOT BE REPRODUCED OR DISCLOSED WITHOUT WRITTEN CONSENT OF NIDEC MOTOR CORPORATION



ISSUED BY
R. TIMMERMANN
APPROVED BY
M. CULLEN

IHP_DP_NMCA (MAR-2011) SOLIDEDGE

EFFECTIVE:
05-FEB-15

SUPERSEDES:
NEW

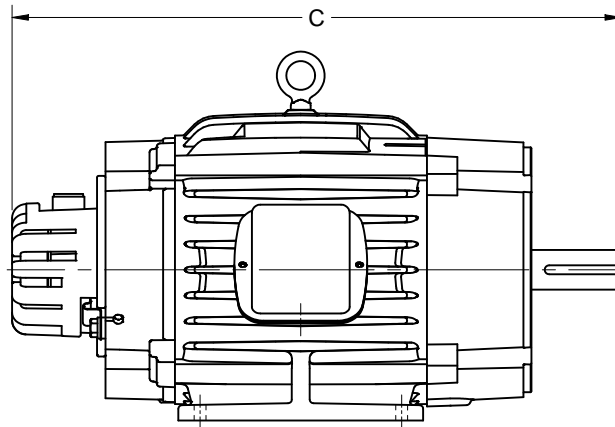
DIMENSION PRINT

INVERTER DUTY WITH C-FACE BRACKET

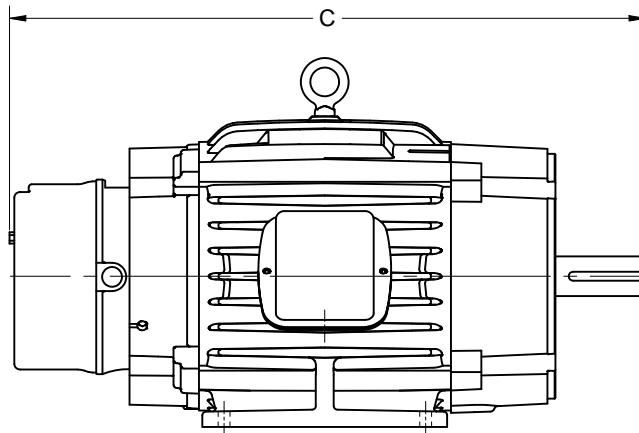
FRAME: 213, 215TC
BASIC TYPE: CTNI

PRINT:
07-3151

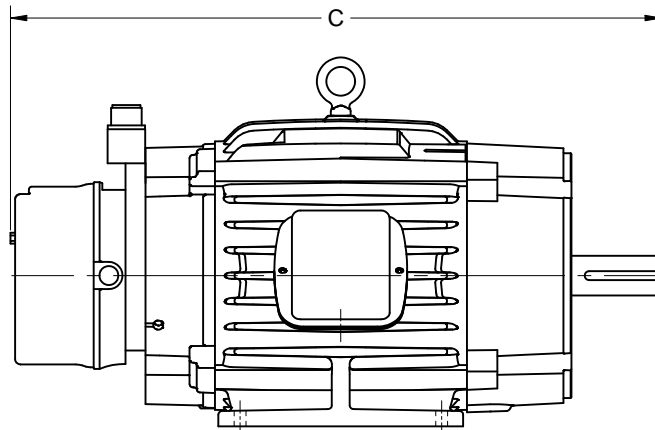
SHEET:
2 OF 2



ACCOMMODATE SHAFT MOUNTED ENCODER
FOR DYNAPAR ENCODER KIT ADD 1.20" TO THE "C" DIMENSION
FOR EPC ENCODER KIT ADD .76" TO THE "C" DIMENSION



ACCOMMODATE BRAKE
FOR BRAKE ADD 2.13" TO THE "C" DIMENSION



ACCOMMODATE FLANGE MOUNT ENCODER AND BRAKE
FOR BRAKE WITH SL56 ENCODER ADD 3.00" TO THE "C" DIMENSION
FOR BRAKE WITH AV56 ENCODER ADD 3.13" TO THE "C" DIMENSION

Nidec Motor Corporation
St. Louis, Missouri

INFORMATION DISCLOSED ON THIS DOCUMENT
IS CONSIDERED PROPRIETARY AND SHALL NOT BE
REPRODUCED OR DISCLOSED WITHOUT WRITTEN
CONSENT OF NIDEC MOTOR CORPORATION



ISSUED BY
R. TIMMERMANN
APPROVED BY
M. CULLEN