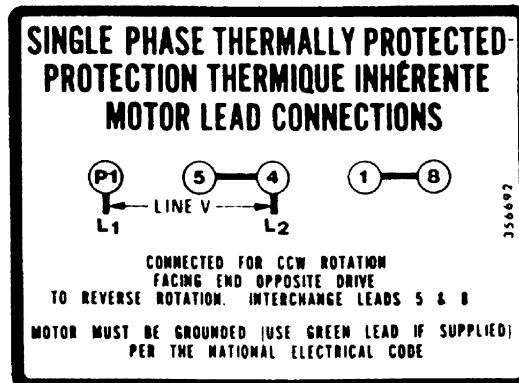




356692

Motor Wiring Diagram
5 Lead, Single Phase, Single Voltage,
Thermally Protected.



Connected for CCW Rotation Facing End Opposite Drive.
To reverse direction of rotation, interchange leads 5 & 8.

Each lead may have one or more cables comprising that lead.
In such case, each cable will be marked with the appropriate lead number.

Connection Plate : _____

Connection Decal : 356692