

EFFECTIVE:
05-JUL-11

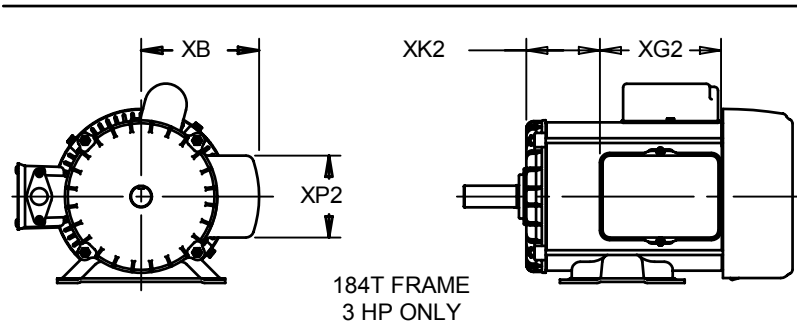
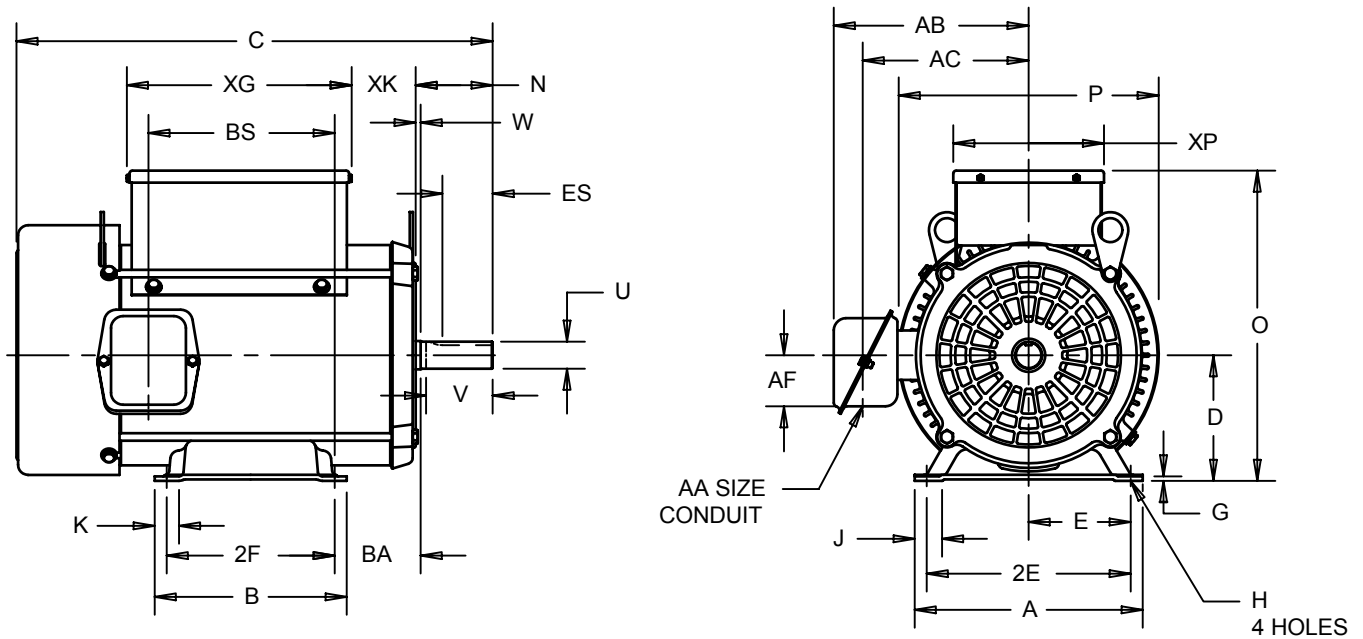
HORIZONTAL MOTORS

FARM DUTY - SINGLE PHASE
FRAME: 182T THRU 215T
BASIC TYPE: TMA, SMA

PRINT:
07-1444

SUPERSEDES:
11-SEP-01

SHEET:
1 OF 1



- 1: ALL ROUGH CASTING DIMENSIONS MAY VARY BY .25" DUE TO CASTING AND / OR FABRICATION VARIATIONS.
- 2: LARGEST MOTOR WIDTH.
- 3: CONDUIT OPENINGS MAY BE LOCATED IN STEPS OF 90°. STANDARD AS SHOWN WITH CONDUIT OPENING DOWN.
- 4: TOLERANCE SHOWN ARE IN INCHES ONLY.

ALL DIMENSIONS ARE IN INCHES AND MILLIMETERS

FRAME	UNITS	A	D -.06	E	2E	G	H	J	K	N	P ²	U -.0005
182T,184T	IN	8.75	4.50	3.75	7.50	.19	.44	1.13	2.00	2.88	9.13	1.1250
	MM	222	114	95	191	.5	11	29	51	73	232	28.575
213T,215T	IN	9.50	5.25	4.25	8.50	.19	.44	1.06	1.06	3.50	10.84	1.3750
	MM	241	133	108	216	.5	11	27	27	89	275	35.950

FRAME	UNITS	V MIN	W	AA	AB	AC	AF	BA	ES MIN	SQ KEY
182T,184T	IN	2.63	.13	.75	6.47	5.16	1.59	2.75	1.81	.250
	MM	67	3		164	131	40	70	46	6.35
213T,215T	IN	3.25	.13	1.00	7.19	5.88	1.59	3.50	2.44	.313
	MM	83	3		183	149	40	89	62	7.94

FRAME	UNITS	HP	B	C	2F	O	BS	XB	XG	XG2	XK	XK2	XP	XP2
182T	IN	2	6.50	15.19	4.50	10.41	4.78	-	3.94	-	4.06	-	2.19	-
	MM		165	386	114	264	121	100	103	56				
184T	IN	3	6.50	17.19	5.50	10.38	6.78	6.16	4.94	6.03	5.41	4.34	2.19	4.25
	MM		165	437	140	264	172	156	125	153	137	110	56	108
184T	IN	5	6.50	18.19	5.50	11.53	7.78	-	9.22	-	2.19	-	5.78	-
	MM		165	462	140	293	198	234	56	147				
213T	IN	5	6.50	19.59	5.50	13.06	6.88	-	9.38	-	2.56	-	6.28	-
	MM		165	498	140	332	175	238	65	160				
215T	IN	7-1/2,10	8.00	22.09	7.00	14.31	9.38	-	9.38	-	5.06	-	6.28	-
	MM		203	561	178	363	238	238	129	160				

07-1444/B

Nidec Motor Corporation
St. Louis, Missouri

INFORMATION DISCLOSED ON THIS DOCUMENT
IS CONSIDERED PROPRIETARY AND SHALL NOT BE
REPRODUCED OR DISCLOSED WITHOUT WRITTEN
CONSENT OF NIDEC MOTOR CORPORATION



ISSUED BY
A. HINGANKAR
APPROVED BY
R. KING

IHP_DP_NMCA (MAR-2011) SOLIDEDGE