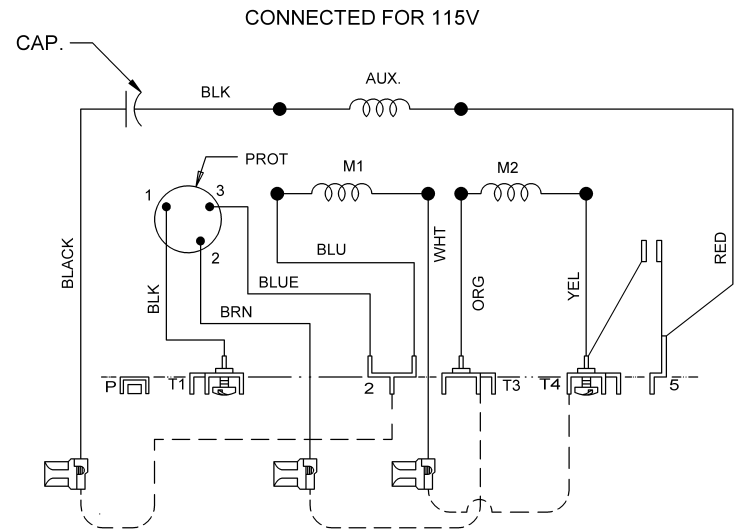


ROTATION: CW SWITCH END



FOR HIGH VOLTAGE:
BRN TO P
BLK TO 3
WHT TO 3

L1 TO T1
L2 TO T4

(C 2P DUAL VOLTAGE NON-REV W/CAP AND PROT.)

REV
A

REFER TO SEIM 24-1

N/P CONNECTION DIAGRAM - I20742151

NIDEC CONFIDENTIAL
NIDEC MOTOR CORPORATION 04-Oct-13

REVISION DESCRIPTION FOR: C8396-07	SCALE	NONE	UNITS	INCHES
CHANGED FROM MICROSTATION TO SOLIDEDGE	TOLERANCES ON DIMENSIONS (UNLESS OTHERWISE SPECIFIED)			
MATERIAL:	INCHES	± .015	mm	
	ANGLES ±			

TITLE	DIAGRAM OF CONNECTIONS	
ISSUED BY	A. SANCHEZ	APPROVED BY
		J.I. SALAZAR
REVISION DATE	04-OCT-13	
CODE	D04	DWG NO.
		744072

REV	A	SHEET NUMBER	1 OF 1	DWG SIZE	B
-----	---	--------------	--------	----------	---

NIDEC MOTOR CORPORATION	
-------------------------	--