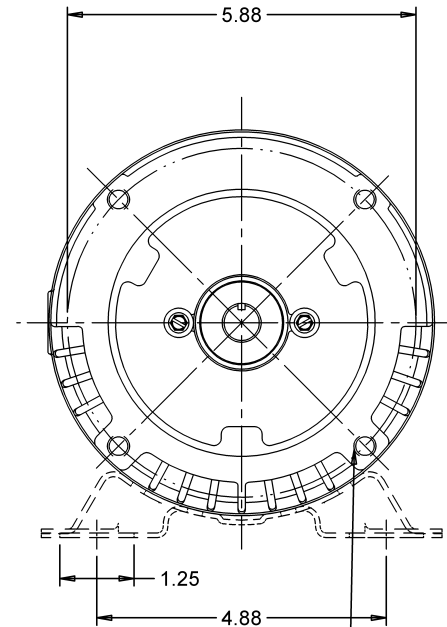
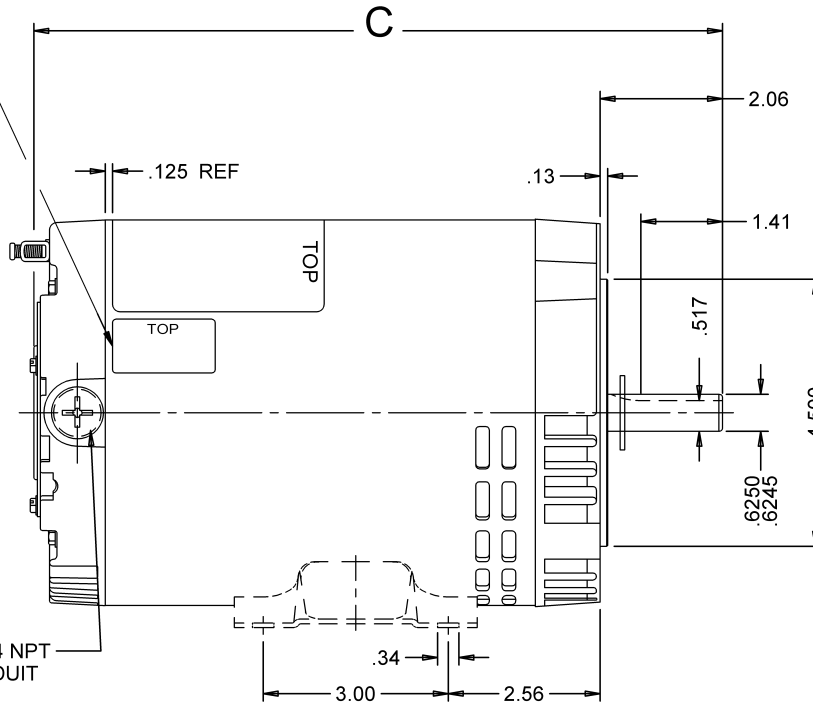
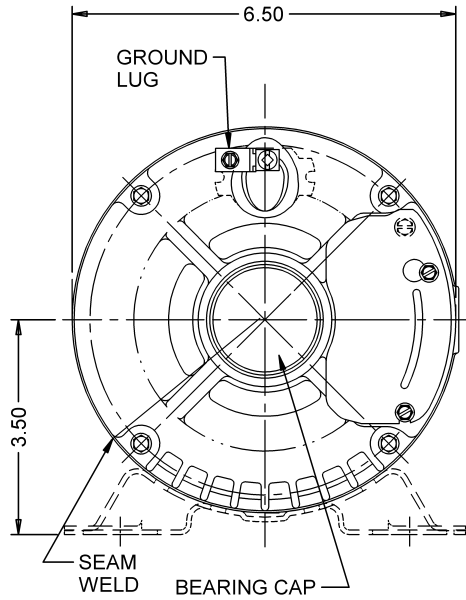


REV  
C

SERIALIZED LABEL  
(POOL AFTERMARKET)



VAR	MODEL	CATALOG NO.	C	HP	VOLTS	HZ	RPM	BASE REQUIREMENT	PROTECTOR	SF
001	P63GFA-4527	EH281	11.388	1/2	208-230/460 190/380-415	60/50	3450/2850	NO	NONE	1.60/1.0
002	P63GFE-4531	EH704	12.388	2	208-230/460 190/380-415	60/50	3450/2850	NO	NONE	1.2/1.0
003	P63GFC-4529	EH513	11.388	1	208-230/460 190/380-415	60/50	3450/2850	NO	NONE	1.4/1.0
004	P63GFD-4530	EH616	11.888	1 1/2	208-230/460 190/380-415	60/50	3450/2850	NO	NONE	1.3/1.0
005	P63GFB-4528	EH450	11.388	3/4	208-230/460 190/380-415	60/50	3450/2850	NO	NONE	1.5/1.0
006	P63GFF-4532	EH740	13.388	3	208-230/460 190/380-415	60/50	3450/2850	NO	NONE	1.15/1.0

4 THREADED HOLES  
.375-16

SUITABLE FOR :  
190/380 V 50HZ 1.0 SF  
ROTATION: CCW DRIVE END REV

SHEET NUMBER	REV	REVISION RECORD FOR:
1 OF 1	C	C7458-17
		ADDED SERIALIZED LABEL.
ISSUED BY	REVIEWED BY	ENGINEER APPROVED
E. VICENCIO	J. SCHRADER	J. SCHRADER

INFORMATION DISCLOSED ON THIS DOCUMENT IS CONSIDERED PROPRIETARY AND SHALL NOT BE REPRODUCED OR DISCLOSED WITHOUT WRITTEN CONSENT OF NIDEC MOTOR CORPORATION

**NIDEC MOTOR CORPORATION**

ALL DIMENSIONS ARE FOR REFERENCE ONLY UNLESS TOLERANCE IS GIVEN

TITLE	CODE	ITEM NO.	SIZE
ASSEMBLED VIEW	V01	770187	B

NIDEC MOTOR CORPORATION 24-Apr-13