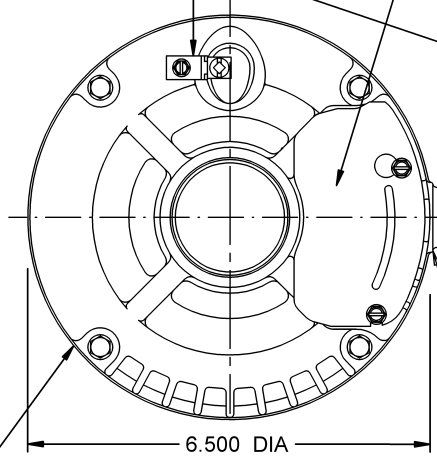
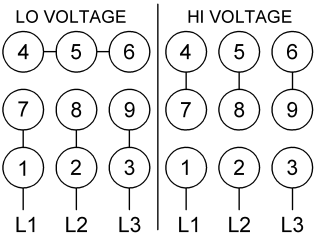


9 LEADS TO EXTEND 4.000 + 2.000, -0.000 INCHES BEYOND TERMINAL COVER AND TUCKED UNDER TERMINAL COVER. WRAP WITH LEAD TIE. LEADS TO BE SKINNED .750

GROUND LUG



SEAM WELD

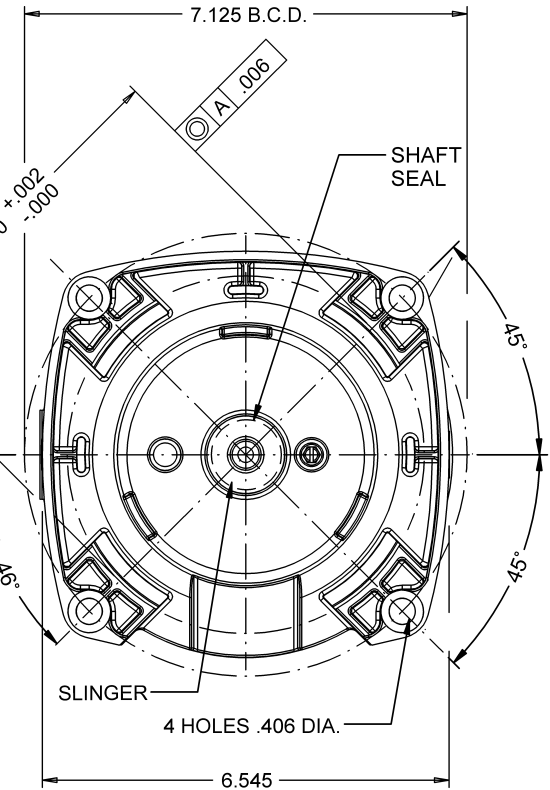
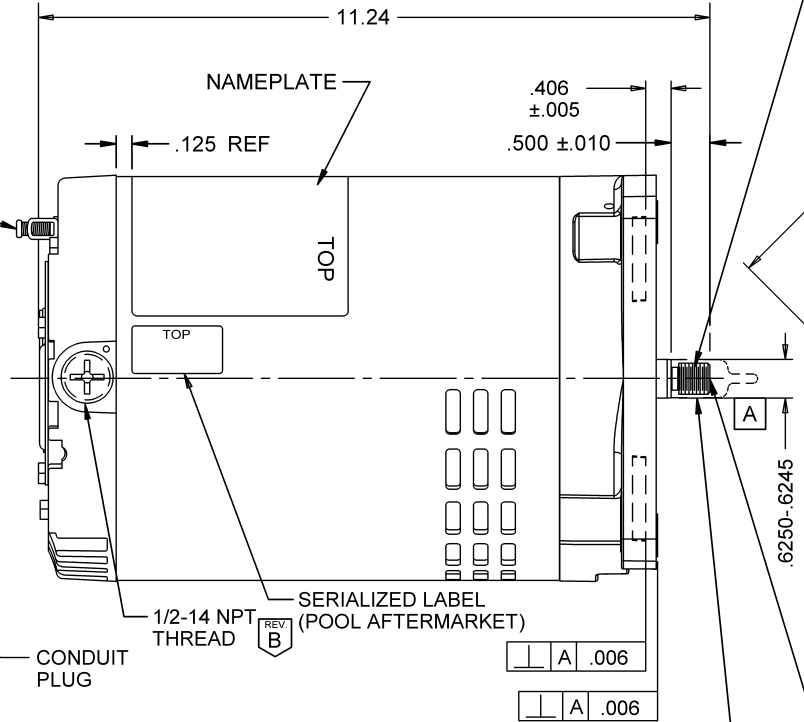


TO REVERSE ROTATION, INTERCHANGE ANY TWO LINE LEADS.
 WITH ABC PHASE SEQUENCE
 PHASE A - LINE 1
 PHASE B - LINE 2
 PHASE C - LINE 3
 ROTATION: CW LEAD END

NOTES:

- 1.) MOTOR TO BE SHIPPED CONNECTED FOR 230 VOLTS (LOW VOLTS)
- 2.) SHAFT EXTENSION 303 STAINLESS STEEL.

1/2-20 UNF-2A RH THREAD



1/4-20 UNC 2B, LH INTERNAL THRD. .625 IN. DEEP MIN

MODEL	REF	CUSTOMER	HP	VOLTS	AMPS	HZ	RPM	S.F.	S.F. AMPS	
P63GEL-4517		POOL AFTERMARKET	1.0	208-230/460		60/50	3450/2850	1.65/1.00	4.8-4.6/2.3	
REVISION RECORD FOR: C7458-09								ROTATION		CUSTOMER PN
SHEET NUMBER: 1 OF 1, REV: B, ADDED SERIALIZED LABEL.								CW LEAD END REV		EH635
REVISION DATE: 22-APR-13								INFORMATION DISCLOSED ON THIS DOCUMENT IS CONSIDERED PROPRIETARY AND SHALL NOT BE REPRODUCED OR DISCLOSED WITHOUT WRITTEN CONSENT OF NIDEC MOTOR CORPORATION		
ISSUED BY: B. ANDRADE, REVIEWED BY: J. SCHRADER, ENGINEER APPROVED: J. SCHRADER								ALL DIMENSIONS ARE FOR REFERENCE ONLY UNLESS TOLERANCE IS GIVEN		
NIDEC MOTOR CORPORATION 22-Apr-13								TITLE: ASSEMBLED VIEW		SIZE: B
								CODE: V01	ITEM NO.: 770385	SOLIDEDGE

NIDEC MOTOR CORPORATION