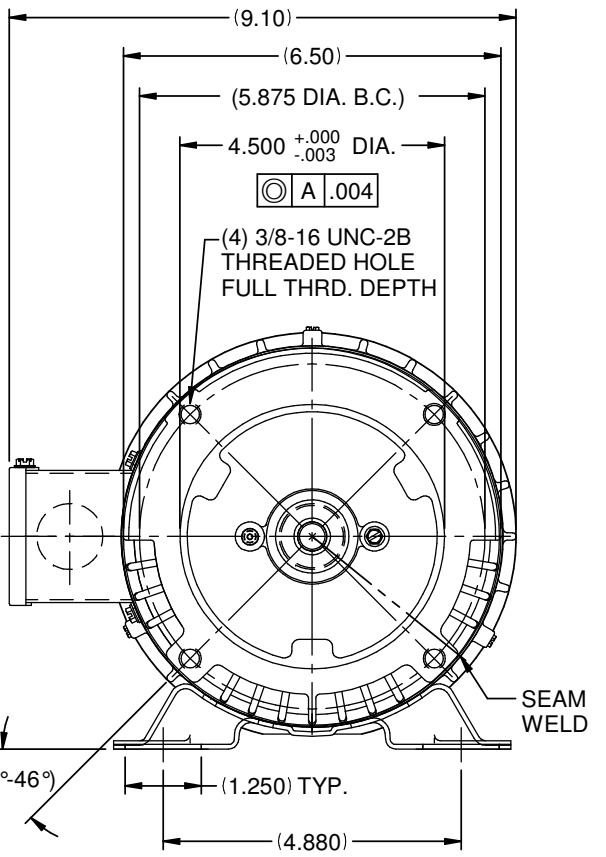
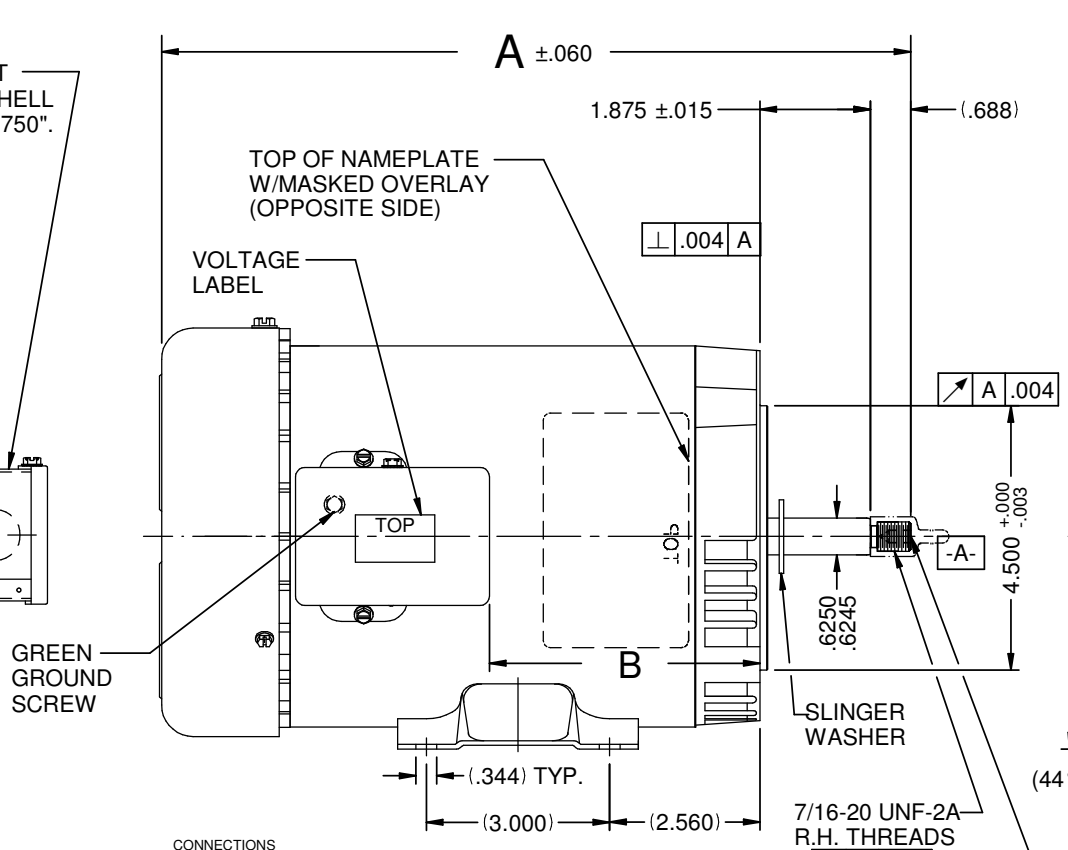
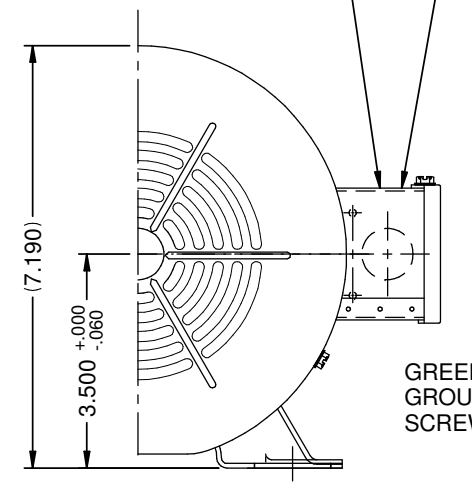


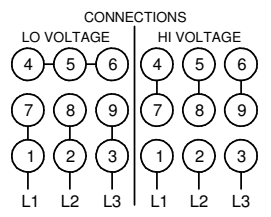
VAR	MODEL	CUSTOMER	CATALOG NO.	A	B	HP	VOLTS	SF	SF AMPS	HZ	RPM	50 HZ VOLTS	50 HZ AMPS	PROTECTOR	DESCRIPTION / REMARKS
001	P63TLK-1454	COMMERICAL PUMPS	EE706B	13.38	3.91	2	208-230/460	1.25&1.0	6.6-6.1/3.1	60&50	3450&2850	190/380-415	5.9/3.0-2.9	NONE	56J, STD. N56 RIGID BASE, TEFC
002	P63TLL-1455	COMMERICAL PUMPS	EE707B	14.38	4.91	3	208-230/460	1.15&1.0	9.1-8.2/4.2	60&50	3450&2850	190/380-415	8.7/4.4-4.1	NONE	56J, STD. N56 RIGID BASE, TEFC

ALL LEADS TO EXIT INTO CONDUIT BOX AND EXTEND BEYOND THE SHELL 5.000" ±1.000" & TO BE STRIPPED .750".

GASKETS & GROMMETS UNDER CON.BOX



- NOTES:
- 1.) SHAFT EXTENSION TO BE 303 STAINLESS STEEL.
 - 2.) SHAFT EXTENSION TO BE CLEAN AND FREE OF CONTAMINANTS.
 - 3.) BEARINGS: BALL
 - 4.) ROTATION: CCW SHAFT END
 - 5.) FACTORY WIRED FOR LOW VOLTAGE. NIDEC MOTOR CORPORATION 01-Jun-16



TO REVERSE ROTATION, INTERCHANGE ANY TWO LINE LEADS. WITH ABC PHASE SEQUENCE
 PHASE A - LINE 1
 PHASE B - LINE 2
 PHASE C - LINE 3
 ROTATION: CW LEAD END

REFER TO S.E.I.M. 24-1

REVISION RECORD FOR:		TOLERANCES ON DIMENSIONS (UNLESS OTHERWISE SPECIFIED)		NIDEC MOTOR CORPORATION		
DELETED CRIT REQ #4		ECO-E26001		INFORMATION DISCLOSED ON THIS DOCUMENT IS CONSIDERED PROPRIETARY AND SHALL NOT BE REPRODUCED OR DISCLOSED WITHOUT WRITTEN CONSENT OF NIDEC MOTOR CORPORATION		
		INCHES XX = ±.010 XXX = ±.005		REVISION DATE: 01-JUN-16		
		mm		TITLE CUSTOMER DETAIL DRAWING		
ISSUED BY: C.ALMAGUER		ENGINEER APPROVED: S.SCHINZING		CODE V02		
		ANGLES X° = ±1°		ITEM NO. 810115		
				REV A		
				SHEET NUMBER 1 OF 6		
				DWG SIZE B		