

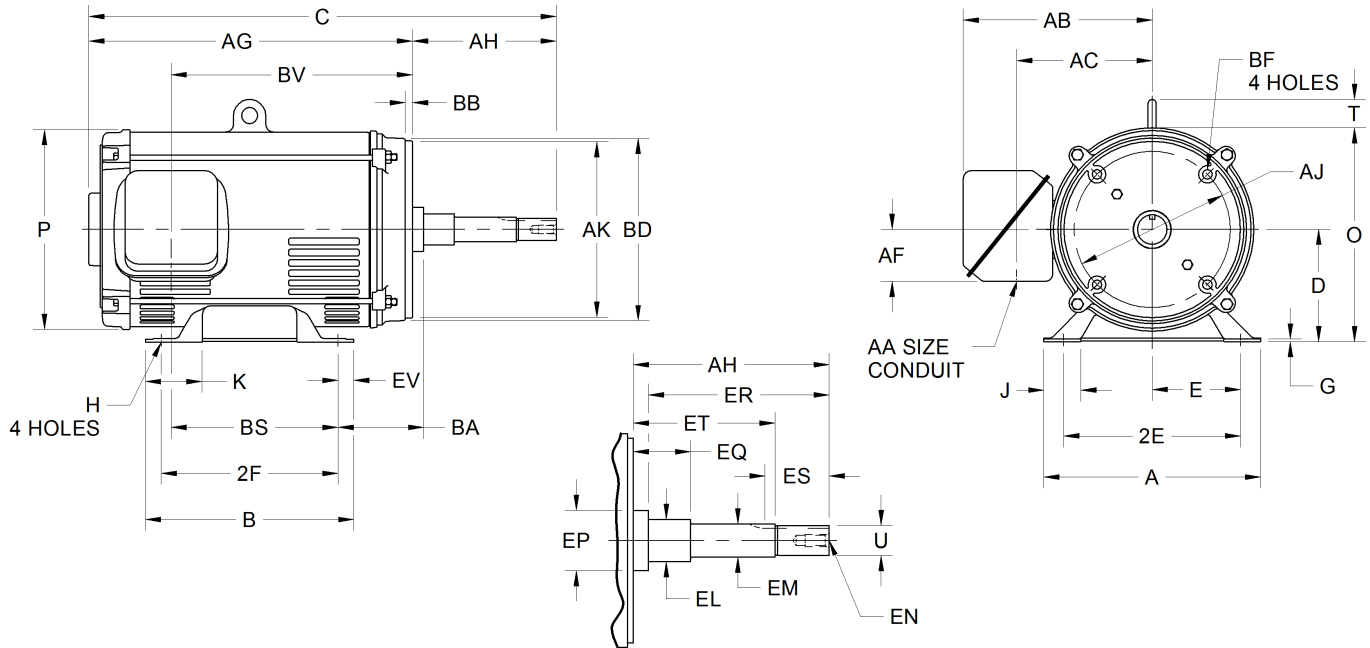
EFFECTIVE:  
**23-FEB-16**

**DIMENSION PRINT**  
ODP - CLOSE COUPLED PUMP WITH OVERSIZED O/B  
FRAME: 280 - 320JP  
BASIC TYPE: D1

PRINT:  
**07-3241**

SUPERSEDES:  
**NEW**

SHEET:  
**1 OF 1**



ALL DIMENSIONS ARE IN INCHES AND MILLIMETERS

FRAME	UNITS	A	B	C	D -.06	E	2E ±.03	G	H +.05	J	K	O
280JP	IN	13.50	12.94	28.63	7.00	5.50	11.00	.19	.53	2.31	3.53	13.19
	MM	343	329	727	178	140	279	5	13	59	90	335
320JP	IN	15.00	13.94	30.38	8.00	6.25	12.50	.25	.66	2.31	3.53	15.13
	MM	381	354	772	203	159	317	6	17	59	90	384

FRAME	UNITS	P <sup>2</sup>	T	U -.0005	AA	AB	AC	AF	AG	AH ±.031	AJ	AK -.003
280JP	IN	12.44	2.22	1.2495	3.00	13.69	9.63	3.38	20.50	8.125	11.000	12.500
	MM	316	56	31.737	76	348	245	86	521	206.37	279.40	317.50
320JP	IN	14.19	2.38	1.2495	3.00	14.75	10.50	3.38	22.25	8.125	11.00	12.500
	MM	360	60	31.737	76	375	267	86	565	206.37	279	317.50

FRAME	UNITS	BA	BB ±.031	BD MAX	BF <sup>3</sup>	BS	BV	EL -.002	EM -.0005	EN <sup>3</sup>	EP MIN	EQ ±.015
280JP	IN	4.75	.281	14.00	5/8-11X.94	10.38	15.38	1.750	1.3750	1/2-13X1.00	2.13	2.375
	MM	121	7.14	356		264	391	44.45	34.925		54	60.33
320JP	IN	5.25	.281	14.00	5/8-11X.94	11.50	17.00	1.750	1.3750	1/2-13X1.00	2.13	2.375
	MM	133	7.14	356		292	432	44.45	34.925		54	60.33

FRAME	UNITS	ER MIN	ES MIN	ET ±.020	EV	SQ KEY
280JP	IN	8.13	2.53	5.875	.97	.250
	MM	206	64	149.23	25	6.35
320JP	IN	8.13	2.53	5.875	1.00	.250
	MM	206	64	149.23	25	6.35

FRAME	UNITS	2F ±.03
284JP	IN	9.50
	MM	241
286JP	IN	11.00
	MM	279
324JP	IN	10.50
	MM	267
326JP	IN	12.00
	MM	305

- ALL ROUGH CASTING DIMENSIONS MAY VARY BY .25" DUE TO CASTING AND/OR FABRICATION VARIATIONS.
- LARGEST MOTOR WIDTH.
- TAP SIZE AND BOLT PENETRATION ALLOWANCE.

- CONDUIT BOX MAY BE LOCATED ON EITHER SIDE AND CONDUIT OPENING MAY BE LOCATED IN STEPS OF 90 DEGREES REGARDLESS OF LOCATION. STANDARD AS SHOWN WITH CONDUIT OPENING DOWN.

TOLERANCES	
FACE RUNOUT	.006 T.I.R.
PERMISSIBLE ECCENTRICITY OF MOUNTING RABBET	.006 T.I.R.
PERMISSIBLE SHAFT RUNOUT	.003 T.I.R.

ISSUED BY  
**R. MARTINEZ**  
APPROVED BY  
**E. ROBINSON**

**Nidec Motor Corporation**  
St. Louis, Missouri

INFORMATION DISCLOSED ON THIS DOCUMENT IS CONSIDERED PROPRIETARY AND SHALL NOT BE REPRODUCED OR DISCLOSED WITHOUT WRITTEN CONSENT OF NIDEC MOTOR CORPORATION

