

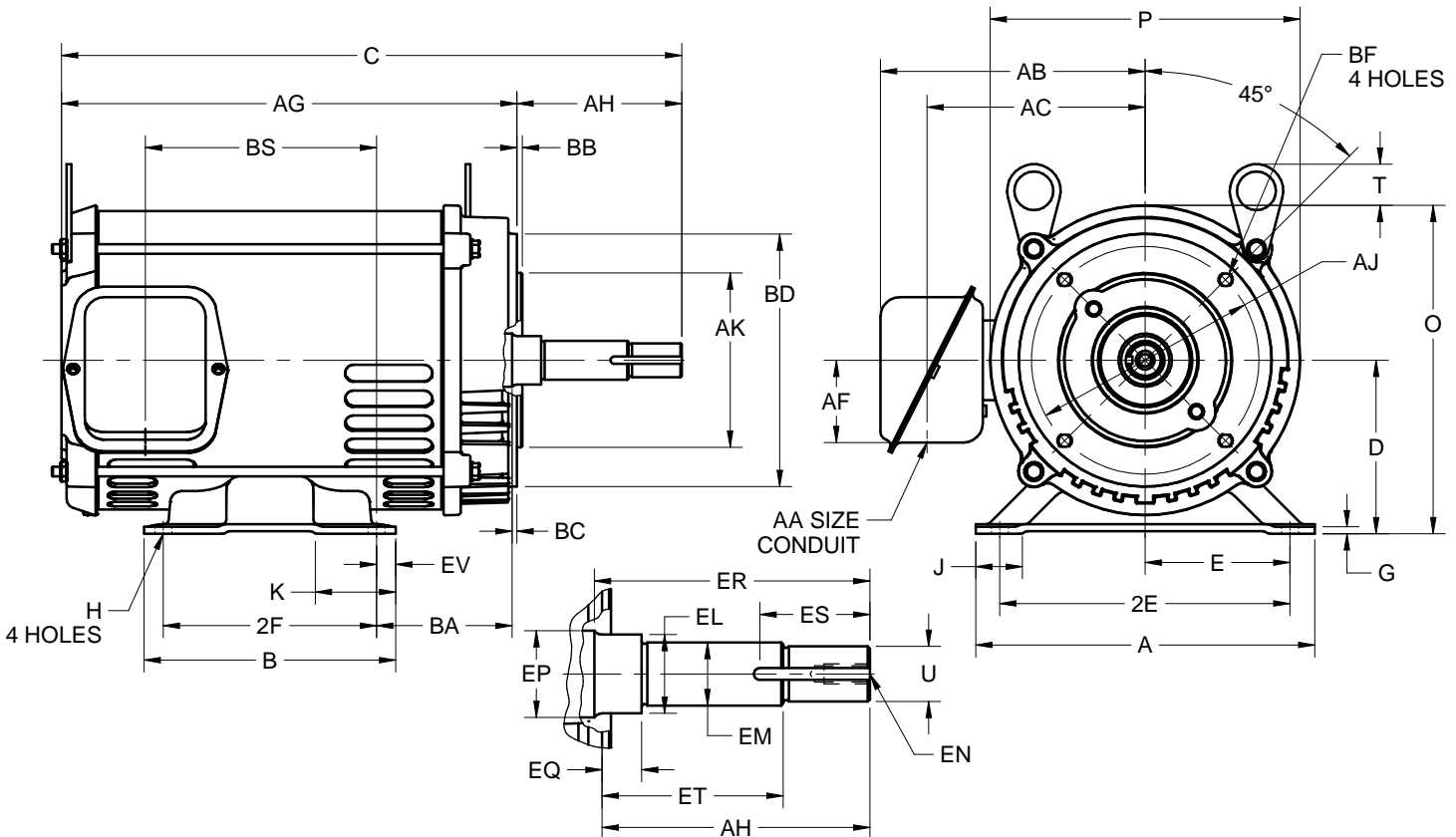
EFFECTIVE:
20-DEC-17

SUPERSEDES:
12-SEP-17

DIMENSION PRINT
OPEN DRIP PROOF CLOSE-COUPLED PUMP
FRAME: 182, 184JM, JP
BASIC TYPE: D4, D1

PRINT:
07-3243

SHEET:
1 OF 1



ALL DIMENSIONS ARE IN INCHES AND MILLIMETERS

UNITS	A	B	D -.06	E	2E ±.03	G	H +.05	J	K	O	P ²	T
IN	8.75	6.50	4.50	3.75	7.50	.19	.41	1.13	2.00	8.50	8.00	1.06
MM	222	165	114	95	191	5	10	29	51	216	203	27

UNITS	U -.0005	AA	AB	AC	AF	AG	AJ	AK -.003	BA	BB -.031	BC	BD
IN	.8745		6.88	5.63	2.13	11.75	5.875	4.500	3.50	.156	.12	6.50
MM	22.212	.75	175	143	54	298	149.23	114.30	89	3.96	3	165

UNITS	BF ^{3,4}	BS F-1	BS F-2	EL -.002	EM -.0005	EN ^{3,4}	EP MIN	ES MIN	EV	SQ KEY
IN	3/8-16 X .56	5.97	.47	1.250	1.0000	3/8-16 X .75	1.25	1.66	.50	.188
MM		152	12	31.75	25.400		32	42	13	4.78

FRAME	UNITS	2F ±.03
182JM,JP	IN	4.50
	MM	114
184JM,JP	IN	5.50
	MM	140

FRAME	UNITS	C	AH ±.031	EQ ±.015	ER MIN	ET ±.015
180JM	IN	16.00	4.250	.625	4.25	2.875
	MM	406	107.95	15.88	108	73.03
180JP	IN	19.06	7.313	1.563	7.31	5.938
	MM	484	185.75	39.70	186	150.83

1. DIMENSIONS MAY VARY .25" DUE TO CASTING AND/OR FABRICATION VARIATIONS
2. LARGEST MOTOR WIDTH
3. ALL TAP HOLES ARE UNIFIED NATIONAL COARSE, RIGHT HAND THREAD
4. TAP SIZE AND BOLT PENETRATION ALLOWANCE
5. STANDARD ASSEMBLY POSITION F-1 IS SHOWN. F-2 IS PROVIDED WHEN SPECIFIED. CONDUIT OPENINGS MAY BE LOCATED IN STEPS OF 90° REGARDLESS OF THE LOCATION. STANDARD AS SHOWN WITH CONDUIT OPENING DOWN
6. TOLERANCES ARE SHOWN IN INCHES ONLY
7. FRAME REFERENCE: 9.250/182/184

TOLERANCES	
FACE RUNOUT	.004 TIR
PERMISSIBLE ECCENTRICITY OF MOUNTING RABBET	.004 TIR
PERMISSIBLE SHAFT RUNOUT	.002 TIR

07-3243/C

Nidec Motor Corporation
St. Louis, Missouri

INFORMATION DISCLOSED ON THIS DOCUMENT IS CONSIDERED PROPRIETARY AND SHALL NOT BE REPRODUCED OR DISCLOSED WITHOUT WRITTEN CONSENT OF NIDEC MOTOR CORPORATION



ISSUED BY
R. TIMMERMANN
APPROVED BY
M. CULLEN

IHP_DP_NMCA (MAR-2011) SOLIDEDGE