

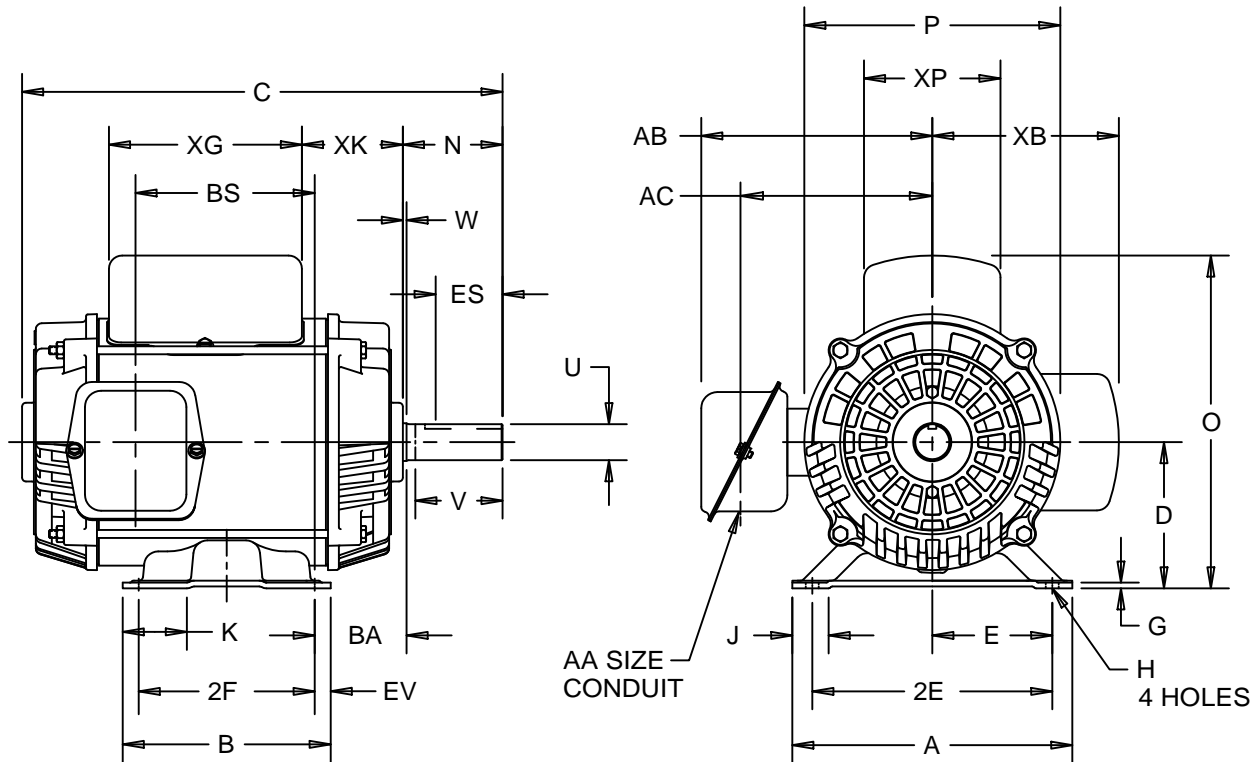
EFFECTIVE:  
08-DEC-14

SUPERSEDES:  
24-JUN-05

**DIMENSION PRINT**  
SINGLE PHASE  
FRAME: 184T  
BASIC TYPE: DM

PRINT:  
07-2648

SHEET:  
1 OF 1



ALL DIMENSIONS ARE IN INCHES AND MILLIMETERS

UNITS	A	B	C	D -.06	E	2E ±.03	2F ±.03	G	H +.05	J
IN	8.75	6.50	17.94	4.50	3.75	7.50	5.50	.19	.41	1.13
MM	222	165	456	114	95	191	140	5	10	29

UNITS	K	N	O	P <sup>2</sup>	U -.0005	V MIN	W	AA	AB	AC
IN	2.00	2.88	10.56	7.75	1.1250	2.50	.13	.75	6.88	5.63
MM	51	73	268	197	28.575	64	3		175	143

UNITS	AF	BA	BS	ES MIN	EV	XB	XG	XK	SQ KEY
IN	2.13	2.75	8.75	1.78	.50	6.06	6.06	6.44	.250
MM	54	70	222	45	13	154	154	164	6.35

- 1: ALL ROUGH DIMENSIONS MAY VARY BY .25" DUE TO CASTING AND/OR FABRICATION VARIATIONS.
- 2: LARGEST MOTOR WIDTH.
- 3: STANDARD ASSEMBLY POSITION F-1 IS SHOWN. F-2 IS PROVIDED WHEN SPECIFIED. CONDUIT OPENINGS MAY BE LOCATED IN STEPS OF 90 DEGREES REGARDLESS OF LOCATION. STANDARD AS SHOWN WITH CONDUIT OPENING DOWN.
- 4: TOLERANCES SHOWN ARE IN INCHES ONLY.
- 5: FRAME REFERENCE: 10.625/184

07-2648/A

**Nidec Motor Corporation**  
St. Louis, Missouri

INFORMATION DISCLOSED ON THIS DOCUMENT IS CONSIDERED PROPRIETARY AND SHALL NOT BE REPRODUCED OR DISCLOSED WITHOUT WRITTEN CONSENT OF NIDEC MOTOR CORPORATION



ISSUED BY  
**R. KING**  
APPROVED BY  
**J. HAGENE**

IHP\_DP\_NMCA (MAR-2011) SOLIDEDGE