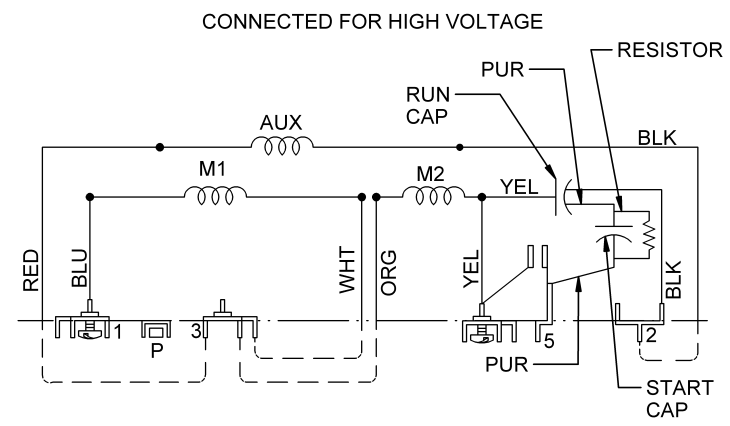
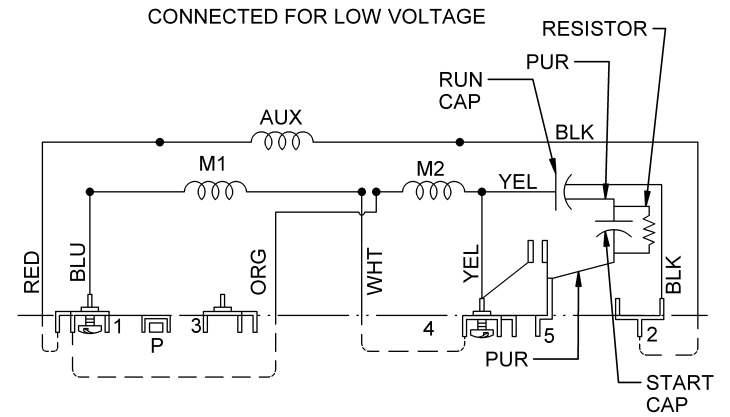


SEE BILL OF MATERIAL FOR CORRECT SWITCH HOOK VS. NO HOOK



ROTATION: CCW SWITCH END REVERSIBLE TO REVERSE ROTATION INTERCHANGE BLACK AND RED LEADS

T 4P DUAL VOLT REVERSIBLE W/CAPS

REV A

NIDEC CONFIDENTIAL
NIDEC MOTOR CORPORATION 24-Sep-13

REVISION DESCRIPTION FOR: C8396-10	SCALE NONE	UNITS IN	TITLE	NIDEC MOTOR CORPORATION
CHANGED MARKUP EMERSON TO NIDEC.	TOLERANCES ON DIMENSIONS (UNLESS OTHERWISE SPECIFIED)		DIAGRAM OF CONNECTIONS	
MATERIAL:	INCHES	mm	ISSUED BY J.G.SALINAS	APPROVED BY J.I.SALAZAR
	$\pm .015$		CODE D04	DWG NO. 761813
	ANGLES $X^\circ = \pm 1^\circ$		REVISION DATE 24-SEP-2013	REVISION NUMBER A
			SHEET NUMBER 1	DWG SIZE 1 OF 1
				B