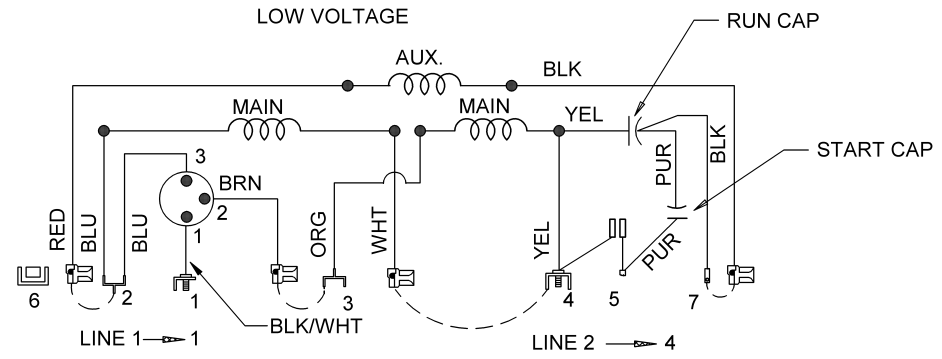
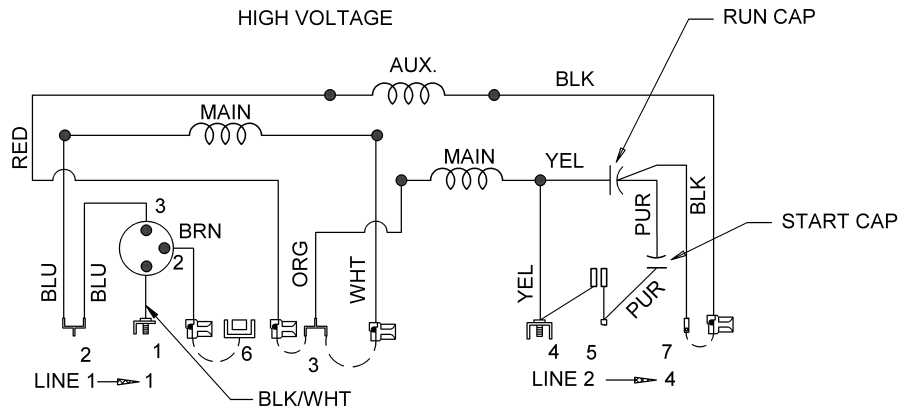


REFER TO SEIM 24-1

REVISION DESCRIPTION FOR: C8396-05 UPDATED BACKGROUND FROM EMERSON TO NIDEC. CONVERTED DRAWING FROM MACRO STATION TO SOLID EDGE MATERIAL:	SCALE	UNITS	TITLE	NIDEC MOTOR CORPORATION	
	NONE	INCHES	DIAGRAM OF CONNECTIONS		
	TOLERANCES ON DIMENSIONS (UNLESS OTHERWISE SPECIFIED)				
	INCHES	mm	ISSUED BY	APPROVED BY	REVISION DATE
	XX = ± .01 .XXX = ± .005		R. GUZMAN	J.I. SALAZAR	23-SEP-13
	ANGLES X° = ±1°		CODE	DWG NO.	REV SHEET NUMBER DWG SIZE
			D04	732190	A 1 OF 2 B

NIDEC CONFIDENTIAL
NIDEC MOTOR CORPORATION 23-Sep-13

MUST BE COMPLIANT TO ROHS DIRECTIVE EU 2002/95/IEC AND REGULATION EC 1907/2006 (REACH) AS AMENDED



REV A

REFER TO SEIM 24-1

REVISION DESCRIPTION FOR: C8396-05		SCALE: NONE	UNITS: INCHES	TITLE: DIAGRAM OF CONNECTIONS		NIDEC MOTOR CORPORATION	
UPDATED BACKGROUND FROM EMERSON TO NIDEC. CONVERTED DRAWING FROM MACRO STATION TO SOLID EDGE		TOLERANCES ON DIMENSIONS (UNLESS OTHERWISE SPECIFIED)		ISSUED BY: R. GUZMAN		APPROVED BY: J.I. SALAZAR	
MATERIAL:		INCHES: .XX = ± .01 .XXX = ± .005	mm	REVISION DATE: 23-SEP-13		REV: A	SHEET NUMBER: 2 OF 2
NIDEC CONFIDENTIAL NIDEC MOTOR CORPORATION 23-Sep-13		ANGLES X° = ±1°		D04 732190		DWG SIZE: B	