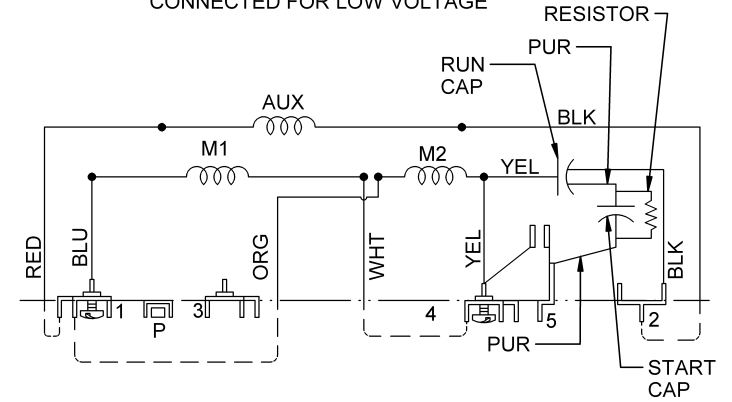
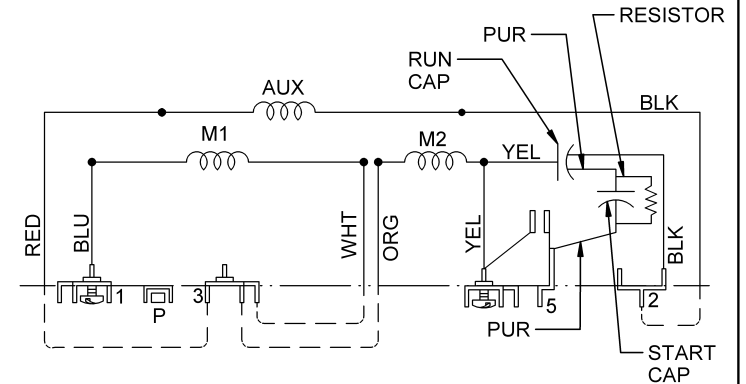


SEE BILL OF MATERIAL FOR CORRECT SWITCH HOOK VS. NO HOOK

CONNECTED FOR LOW VOLTAGE



CONNECTED FOR HIGH VOLTAGE



ROTATION: CCW SWITCH END REVERSIBLE TO REVERSE ROTATION INTERCHANGE BLACK AND RED LEADS

T 6P DUAL VOLT REVERSIBLE W/CAPS

REVISION DESCRIPTION FOR: C8396-12	SCALE NONE	UNITS IN	TITLE	NIDEC MOTOR CORPORATION
CHANGED MARKUP EMERSON TO NIDEC.	TOLERANCES ON DIMENSIONS (UNLESS OTHERWISE SPECIFIED)		DIAGRAM OF CONNECTIONS	
MATERIAL:	INCHES	mm	ISSUED BY J.G.SALINAS	APPROVED BY J.I.SALAZAR
	$\pm .015$		CODE D04	DWG NO. 764476
	ANGLES $X^\circ = \pm 1^\circ$		REVISION DATE 25-SEP-2013	REV A SHEET NUMBER 1 OF 1 DWG SIZE B



NIDEC CONFIDENTIAL
NIDEC MOTOR CORPORATION 25-Sep-13

MUST BE COMPLIANT TO RoHS DIRECTIVE EU 2002/95/IEC AND REGULATION EC 1907/2006 (REACH) AS AMENDED