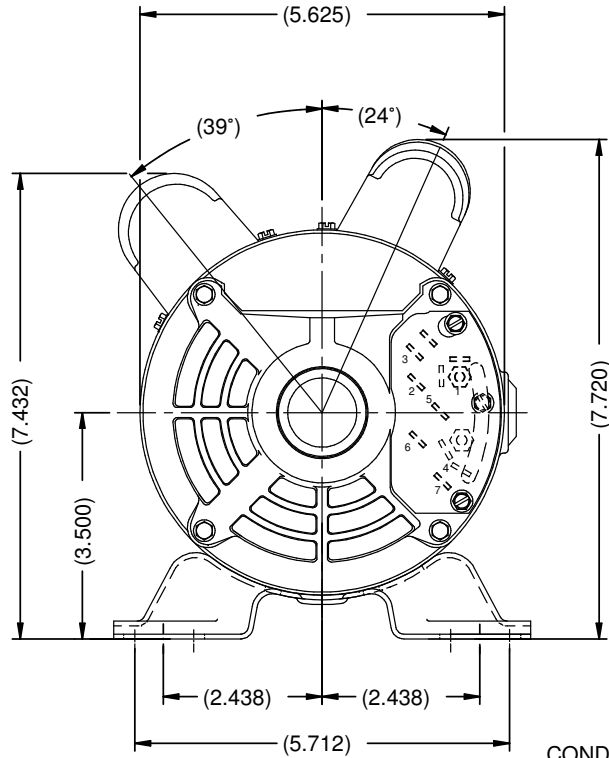
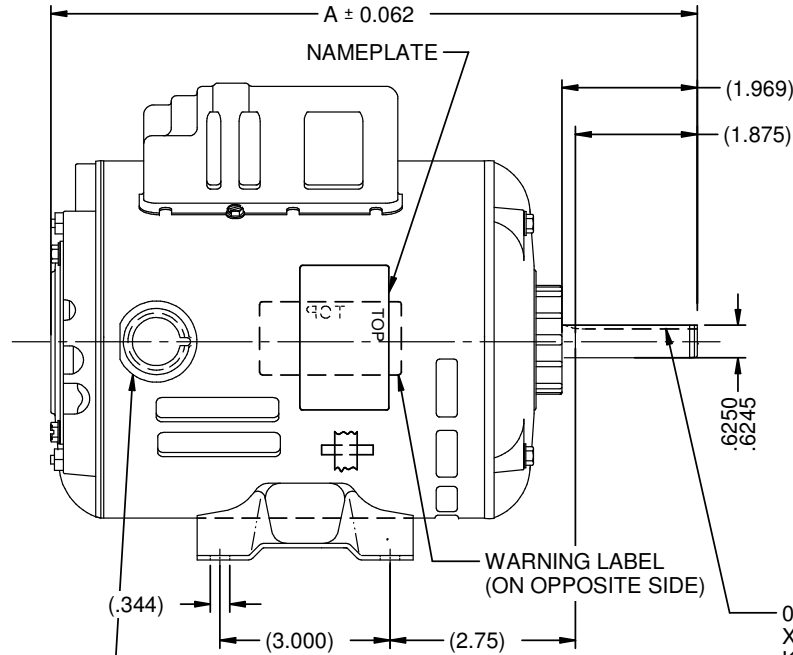


VAR	MODEL	CUSTOMER	CAT. NO.	A	B	C	D	HP	VOLTS	SF	AMPS	HZ	RPM	CONN VOLTS	PROT.	DESCRIPTION / REMARKS
001	T55CNT-1500	WHOLESALE-HAC	D13CP2P	9.875	----	----	----	1/3	115/230 & 110/220	1.35	3.9/1.9 & 4.8/2.5	60&50	1725 & 1425	230	NONE	N56, ODP, CCW LEAD END REV.

SHAFT KEY TAPED TO MOTOR

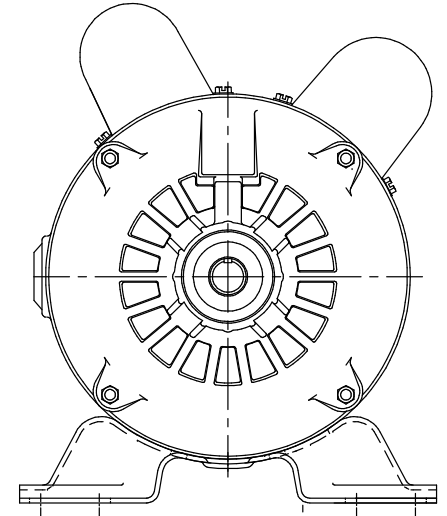


CONDUIT PLUG
1/2-14 NPSC THR'D



WARNING LABEL
(ON OPPOSITE SIDE)

0.188 SQ
X 1.440
KEYWAY



NIDEC MOTOR CORPORATION 28-Jul-17

REFER TO S.E.I.M. 24-1

REVISION RECORD FOR:	ECO E29192
CAPACITOR NOTES UPDATED ON PAGE 3 & 4.	
ISSUED BY:	E. REYES
ENGINEER APPROVED:	A. LOZANO

TOLERANCES ON DIMENSIONS (UNLESS OTHERWISE SPECIFIED)	
INCHES .XX = ± .010 .XXX = ± .005	mm
ANGLES X° = ± 1°	

NIDEC MOTOR CORPORATION			
INFORMATION DISCLOSED ON THIS DOCUMENT IS CONSIDERED PROPRIETARY AND SHALL NOT BE REPRODUCED OR DISCLOSED WITHOUT WRITTEN CONSENT OF NIDEC MOTOR CORPORATION			REVISION DATE: 28-JUL-17
TITLE	CODE	ITEM NO.	REV
CUSTOMER DETAIL DRAWING	V02	805401	B
SHEET NUMBER		DWG SIZE	
1 OF 4		B	