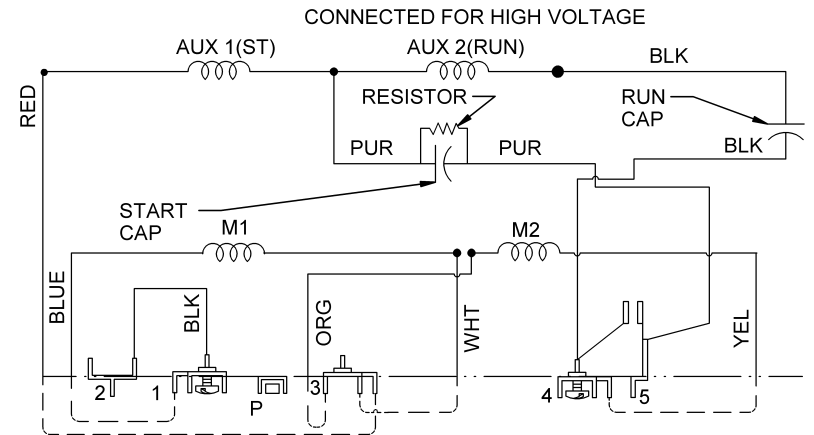
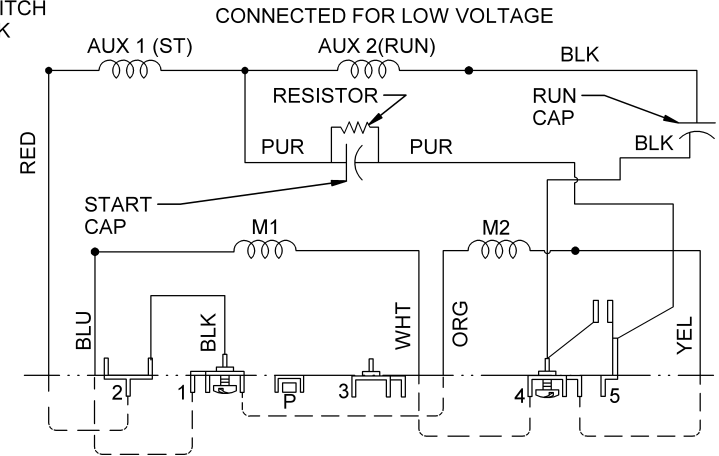


SEE BILL OF MATERIAL FOR CORRECT SWITCH HOOK VS. NO HOOK



TO REVERSE ROTATION INTERCHANGE BLUE WITH WHITE LEADS AND ORANGE WITH YELLOW LEADS.

ROTATION: CCW SWITCH END REVERSIBLE T 6P DUAL VOLT REVERSIBLE DUAL AUX W/CAPS

REVISION DESCRIPTION FOR: C8396-11	SCALE: NONE	UNITS: IN	TITLE: DIAGRAM OF CONNECTIONS	REV: A
CHANGED MARK FROM EMERSON TO NIDEC.	TOLERANCES ON DIMENSIONS (UNLESS OTHERWISE SPECIFIED)		ISSUED BY: B. ANDRADE	APPROVED BY: J.I. SALAZAR
MATERIAL:	INCHES: .XX = ±.01 .XXX = ±.005	mm		
NIDEC CONFIDENTIAL NIDEC MOTOR CORPORATION 03-Oct-13			CODE: D04	DWG NO.: 764956
MUST BE COMPLIANT TO RoHS DIRECTIVE EU 2002/95/IEC AND REGULATION EC 1907/2006 (REACH) AS AMENDED			REV: A	SHEET NUMBER: 1 OF 1
			ANGLES: X° = ±1°	DWG SIZE: B