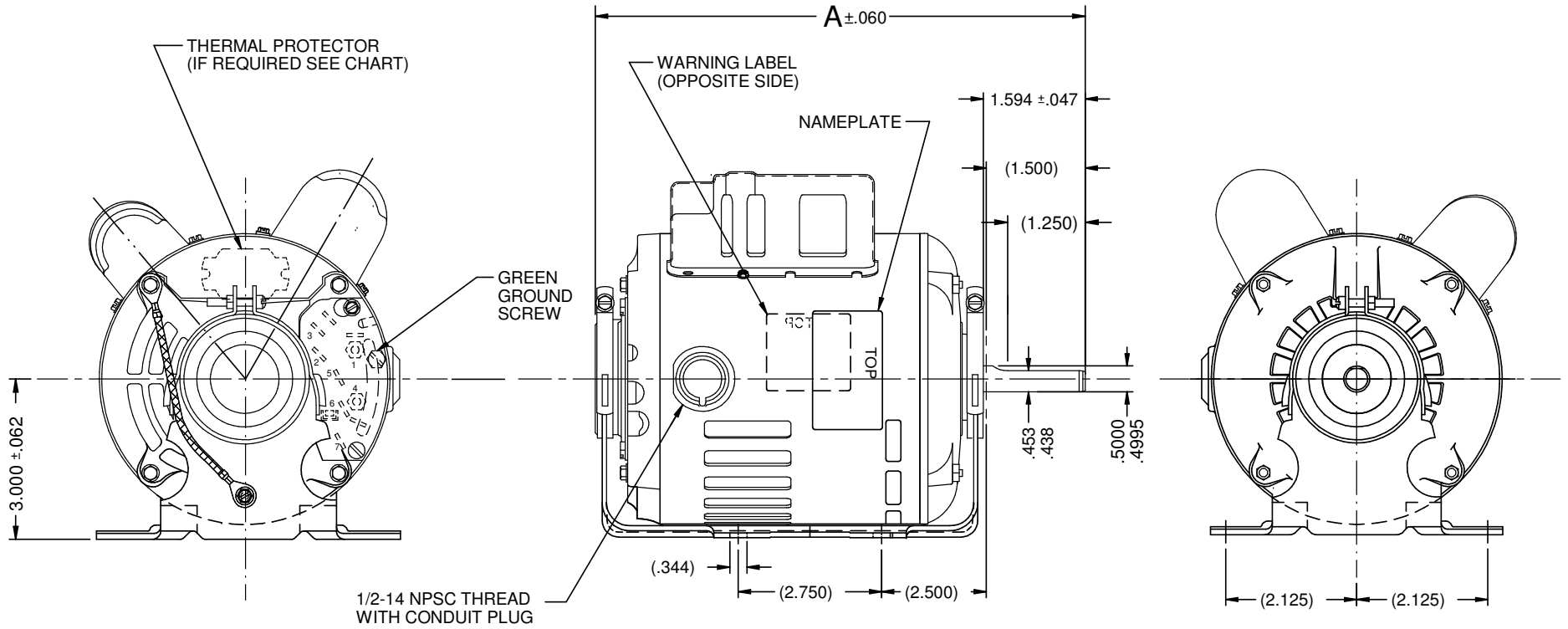


VAR	MODEL	CUSTOMER	CAT. NO.	A	B	C	D	HP	VOLTS	SF	AMPS	HZ	RPM	CONN VOLTS	PROT	DESCRIPTION / REMARKS
001	T55CSD-1555	USEM	D12CP1P49	9.91	-----	-----	-----	1/2	115/230	1.25	5.0/2.5	60	3450	230	NONE	N48, ODP



NIDEC MOTOR CORPORATION 01-Oct-15 MOTOR IS CCW LEAD END, TO REVERSE ROTATION INTERCHANGE RED AND BLACK LEADS REFER TO S.E.I.M. 24-1

REVISION RECORD FOR: ECO 23935		TOLERANCES ON DIMENSIONS (UNLESS OTHERWISE SPECIFIED)		NIDEC MOTOR CORPORATION			REVISION DATE: 01-OCT-15	
INTERCHANGED LOCATION OF STAR CAP AND RUN CAP		INCHES .XX = ± .010 .XXX = ± .005		INFORMATION DISCLOSED ON THIS DOCUMENT IS CONSIDERED PROPRIETARY AND SHALL NOT BE REPRODUCED OR DISCLOSED WITHOUT WRITTEN CONSENT OF NIDEC MOTOR CORPORATION			TITLE	
ISSUED BY: I. NUÑEZ		ENGINEER APPROVED: J. SALAZAR		CUSTOMER DETAIL DRAWING			CODE V02	ITEM NO. 804971
		ANGLES X° = ±1°					REV A	SHEET NUMBER 1 OF 4
							DWG SIZE B	

V02\_NMCB (MAR-2014)

SOLIDEDGE