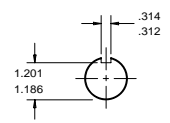
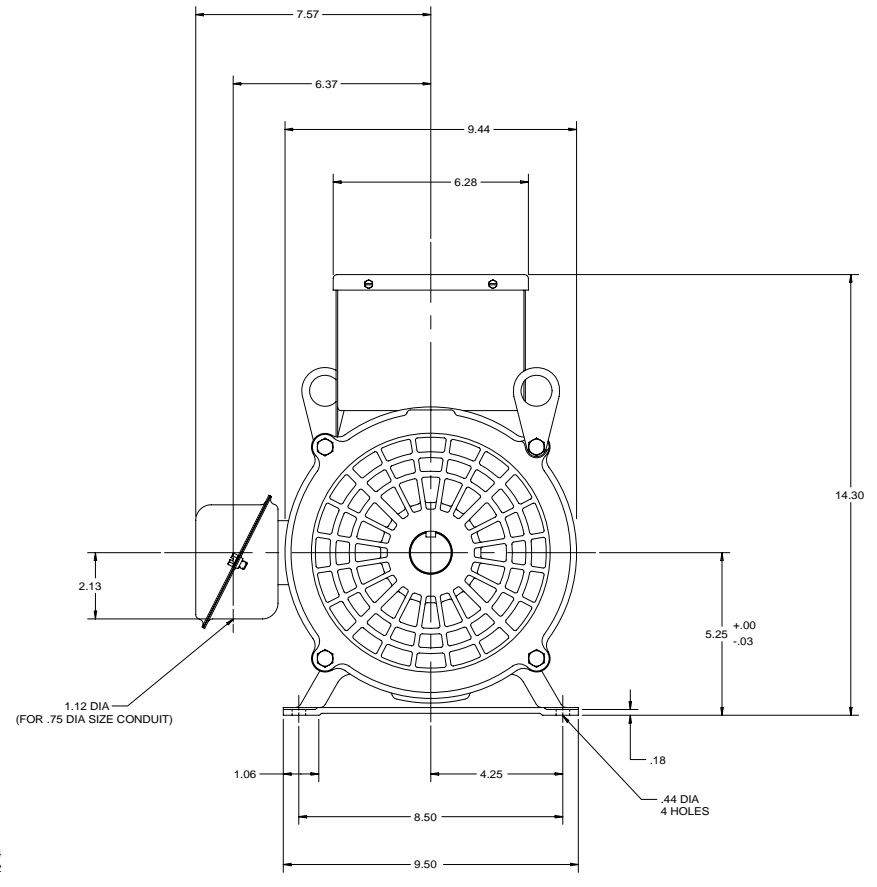


A
A



VIEW A-A



FRAME	TYPE	HP	RPM	PH	HZ	SF	VOLTS	AMPS
215T-72	DM	10	3500	1	60	1.15	230	40

REVISION DESCRIPTION FOR: ECO A1000-50 UPDATED TO NIDEC FORMAT.	SCALE: NONE	UNITS: IN	TITLE: DRAWING, DIMENSION	NIDEC MOTOR CORPORATION
	TOLERANCES ON DIMENSIONS (UNLESS OTHERWISE SPECIFIED):		ISSUED BY: R. KING	APPROVED BY: J. HAGENE
	INCHES: .XX = ± .03 .XXX = ± .015	MM: ---	REVISION DATE: 28-SEP-11	SHEET NUMBER: 1 OF 1
MATERIAL: ---	MUST BE COMPLIANT TO RHMS DIRECTIVE EU 2002/95/EC AND REGULATION EC 1907/2006/REACH AS AMENDED.		CODE: DP	DWG NO.: 0476477
ANGLES X° = ±1°			DWG SIZE: D	

NIDEC CONFIDENTIAL
NIDEC MOTOR CORPORATION 28-Sep-11