

EFFECTIVE:  
**06-JUN-18**

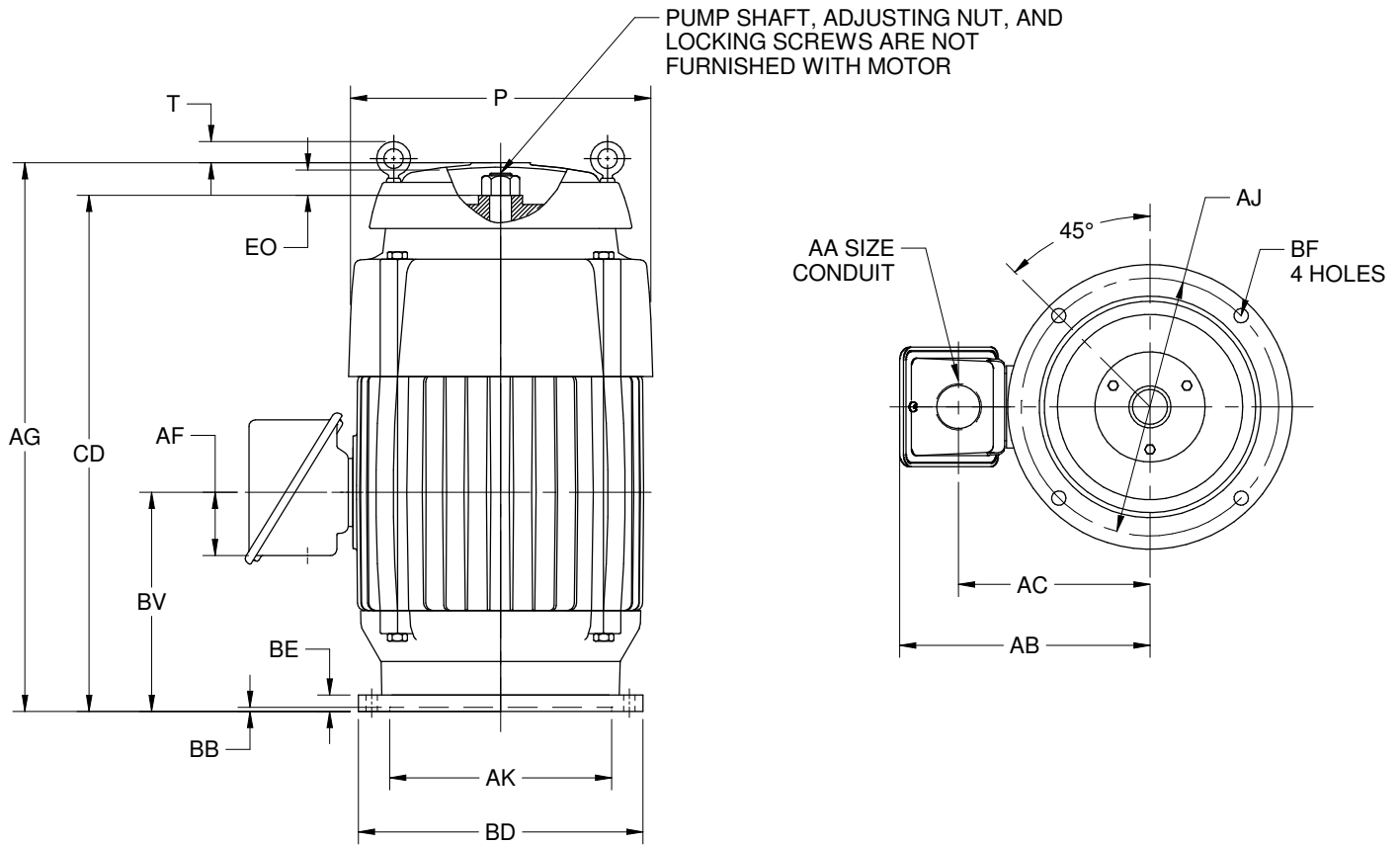
**DIMENSION PRINT**  
**TEFC - W/ CAST IRON OUTLET BOX**

PRINT:  
**09-2300-07**

SUPERSEDES:  
**NEW**

FRAME: 360TP  
BASIC TYPE: TUCI

SHEET:  
**1 OF 1**



ALL DIMENSIONS ARE IN INCHES AND MILLIMETERS

UNITS	P <sup>2</sup>	T <sup>4</sup>	AA	AB	AC	AF	AG	AJ	AK +.005	BB MIN	BD MAX
IN	18.75	-1.69	3 NPT	17.32	12.88	4.88	36.13	14.750	13.500	.25	16.50
MM	476	-43		440	327	124	918	374.65	342.90	6	419

UNITS	BE	BF	BV	CD	EO
IN	1.00	.69	13.00	30.00	5.94
MM	25	18	330	762	151

- ALL ROUGH DIMENSIONS MAY VARY BY .25" DUE TO CASTING AND/OR FABRICATION VARIATIONS.
- LARGEST MOTOR WIDTH.
- CONDUIT OPENINGS MAY BE LOCATED IN STEPS OF 90 DEGREES REGARDLESS OF LOCATION. STANDARD AS SHOWN WITH CONDUIT OPENING DOWN.
- (-) MINUS SIGN INDICATES EYEBOLT IS BELOW THE TOP OF THE UNIT.
- TOLERANCES SHOWN ARE IN INCHES ONLY.

TOLERANCES	
FACE RUNOUT PERMISSIBLE ECCENTRICITY	.007 T.I.R.
OF MOUNTING RABBET	.007 T.I.R.

09-2300/B

**Nidec Motor Corporation**  
St. Louis, Missouri

INFORMATION DISCLOSED ON THIS DOCUMENT IS CONSIDERED PROPRIETARY AND SHALL NOT BE REPRODUCED OR DISCLOSED WITHOUT WRITTEN CONSENT OF NIDEC MOTOR CORPORATION



ISSUED BY  
**R. LOPEZ**  
APPROVED BY  
**G. CORONADO**

IHP\_DP\_NMCA (MAR-2011) SOLIDEDGE