

EFFECTIVE:
02-JUN-11

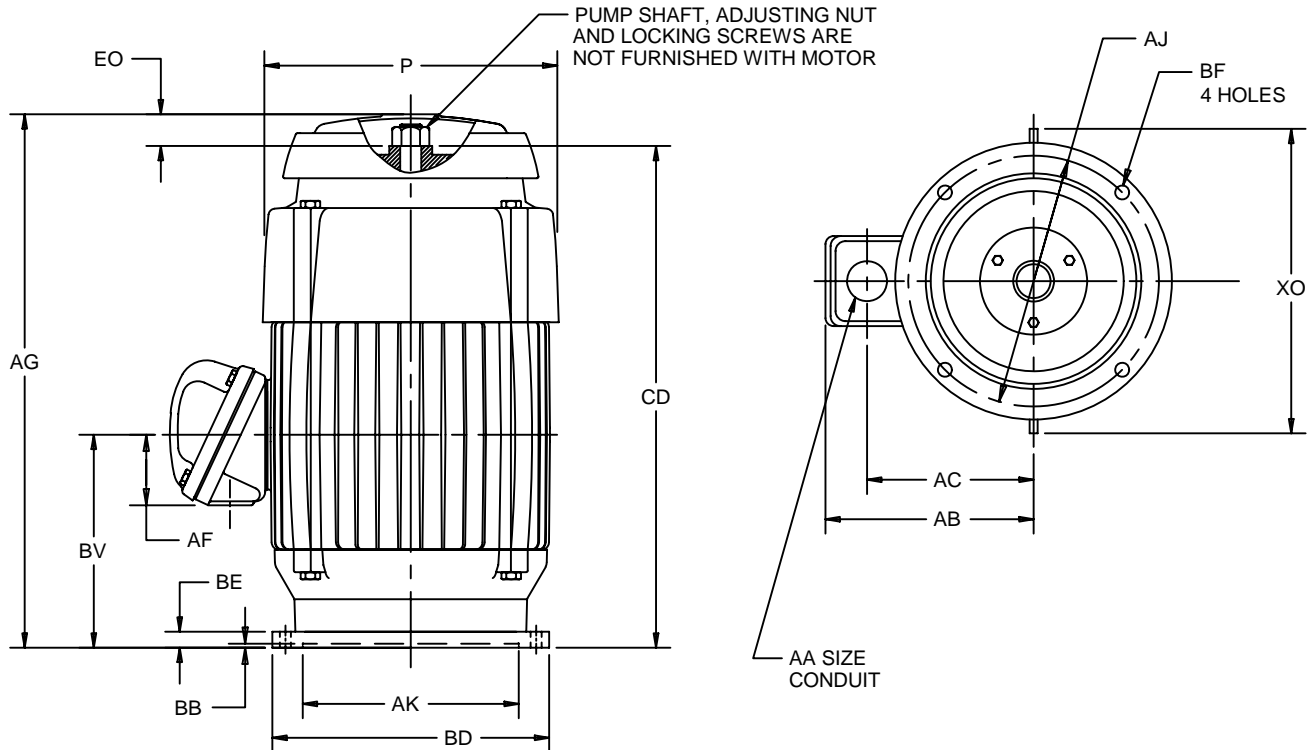
SUPERSEDES:
05-MAY-10

VERTICAL MOTORS WITH CAST IRON CONDUIT BOX

FRAME: 404, 405TP, TPA
BASIC TYPE: TU, TUC

PRINT:
09-2301-01

SHEET:
1 OF 1



ALL DIMENSIONS ARE IN INCHES & MILLIMETERS

UNITS	P	AB	AC	AF	AG	AJ	AK +.005
IN	24.31	18.50	14.13	4.63	46.44	14.750	13.500
MM	617	470	359	118	1180	374.65	342.90

UNITS	BB MIN	BE	BF	BV	CD	EO	XO
IN	.25	1.00	.69	15.63	39.94	6.06	24.63
MM	6	25	18	397	1014	154	626

FRAME	UNITS		BD MAX	AA	
	IN	MM			
400TP	IN	16.50		2 NPT	
	MM	419		2 1/2 NPT	
400TPA	IN	20.00		3 NPT	
	MM	508			

- 1: ALL ROUGH CASTING DIMENSIONS MAY VARY BY .25" DUE TO CASTING AND/OR FABRICATION VARIATIONS.
- 2: LARGEST MOTOR WIDTH.
- 3: CONDUIT BOX MAY BE LOCATED ON EITHER SIDE OR ON TOP OF MOTOR. CONDUIT OPENINGS MAY BE LOCATED IN STEPS OF 90° REGARDLESS OF LOCATION. STANDARD AS SHOWN WITH CONDUIT OPENING DOWN.
- 4: TOLERANCES SHOWN ARE IN INCHES ONLY.

TOLERANCES	
FACE RUNOUT	.007 T.I.R.
PERMISSIBLE ECCENTRICITY OF MOUNTING RABBET	.007 T.I.R.

09-2301/D

Nidec Motor Corporation
St. Louis, Missouri

INFORMATION DISCLOSED ON THIS DOCUMENT IS CONSIDERED PROPRIETARY AND SHALL NOT BE REPRODUCED OR DISCLOSED WITHOUT WRITTEN CONSENT OF NIDEC MOTOR CORPORATION



ISSUED BY
R. KING
APPROVED BY
K. POTTER

IHP_DP_NMCA (MAR-2011) SOLIDEDGE