

EFFECTIVE:
12-FEB-16

DIMENSION PRINT

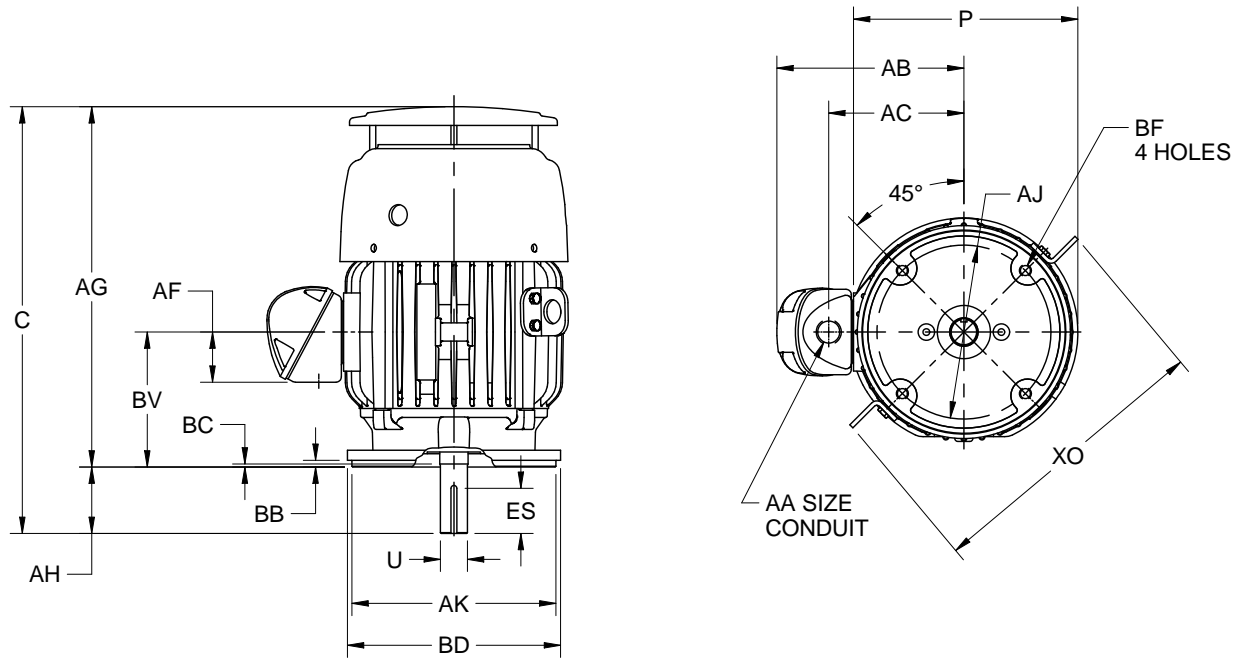
TEFC, VERTICALLY MOUNTED

PRINT:
07-3054

SUPERSEDES:
21-MAR-14

FRAME: 182, 184TC
BASIC TYPE: TCF, CEF

SHEET:
1 OF 1



ALL DIMENSIONS ARE IN INCHES AND MILLIMETERS

UNITS	C	P ⁶	U -.0005	AA	AB	AC	AF	AG	AH	AJ	AK -.003
IN	17.78	9.34	1.1250	3/4 NPT	7.81	5.63	2.13	15.03	2.63	7.250	8.500
MM	452	237	28.575		198	143	54	382	67	184.15	215.90

UNITS	BB MIN	BC	BD MAX	BF ²	BV	ES MIN	XO	SQ KEY
IN	.25	.13	9.00	1/2-13 X .75	5.63	1.78	12.13	.250
MM	6	3	229		143	45	308	6.35

1. ALL ROUGH DIMENSIONS MAY VARY BY .25" DUE TO CASTING AND/OR FABRICATION VARIATIONS.
2. TAP SIZE AND BOLT PENETRATION ALLOWANCE.
3. ALL TAPPED HOLES ARE UNIFIED NATIONAL COARSE, RIGHT HAND THREAD.
4. TOLERANCE SHOWN ARE IN INCHES ONLY.

5. CONDUIT BOX MAY BE LOCATED ON EITHER SIDE OF MOTOR. CONDUIT OPENINGS MAY BE LOCATED IN STEPS OF 90 DEGREES REGARDLESS OF LOCATION. STANDARD AS SHOWN WITH CONDUIT OPENING DOWN.
6. LARGEST MOTOR WIDTH.

TOLERANCES	
FACE RUNOUT	.004 T.I.R.
PERMISSIBLE ECCENTRICITY OF MOUNTING RABBET	.004 T.I.R.
PERMISSIBLE SHAFT RUNOUT	.002 T.I.R.
FOR SPECIAL SHAFT RUNOUT	.001 T.I.R.

07-3054/B

Nidec Motor Corporation
St. Louis, Missouri

INFORMATION DISCLOSED ON THIS DOCUMENT IS CONSIDERED PROPRIETARY AND SHALL NOT BE REPRODUCED OR DISCLOSED WITHOUT WRITTEN CONSENT OF NIDEC MOTOR CORPORATION



ISSUED BY
R. KING
APPROVED BY
J. O'BRIEN

IHP_DP_NMCA (MAR-2011) SOLIDEDGE