

ROTATION: CW LEAD END

(PARALLEL MAIN POLES)
(SERIES AUX POLES)

REV A

NIDEC CONFIDENTIAL
NIDEC MOTOR CORPORATION 23-Sep-13

MUST BE COMPLIANT TO ROHS DIRECTIVE EU 2002/95/REC AND REGULATION EC 1907/2006 (REACH) AS AMENDED

REFER TO SEIM 24-1

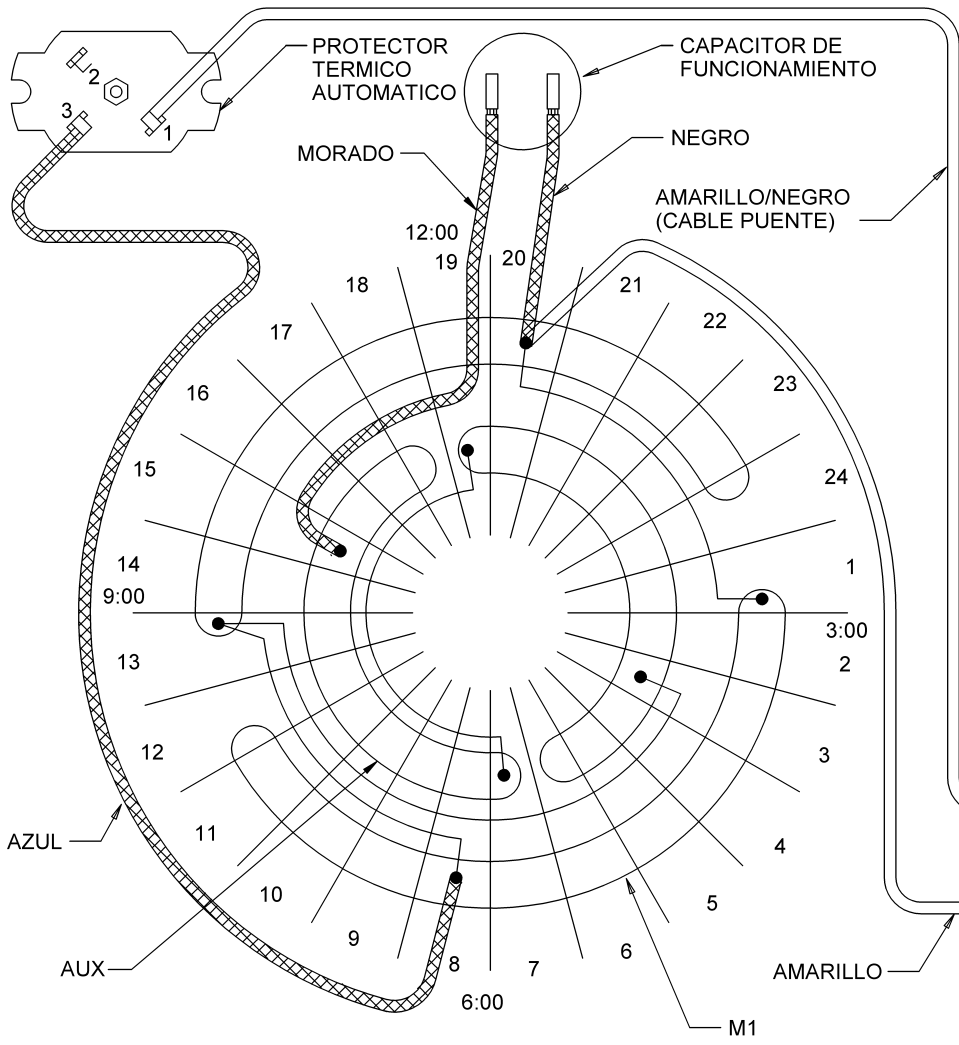
K63, 2P, SINGLE VOLT, NON-REV

REVISION DESCRIPTION FOR: C8396-06		SCALE	UNITS	TITLE	NIDEC MOTOR CORPORATION	
CHANGED MARK FROM EMERSON TO NIDEC.		NONE	INCHES	DIAGRAM OF CONNECTIONS	REVISION DATE 24-SEP-13	
CHANGED FROM MICROSTATION TO SOLIDEDGE.		TOLERANCES ON DIMENSIONS (UNLESS OTHERWISE SPECIFIED)				
MATERIAL:		INCHES	mm	ISSUED BY E. VICENCIO	APPROVED BY J.I. SALAZAR	REVISION NUMBER 24-SEP-13
		± .015		CODE D04	DWG NO. 738828	REV A
		ANGLES X° = ±1°		SHEET NUMBER 1 OF 2		DWG SIZE B

SOLIDEDGE

NMCB (MAR-2011)

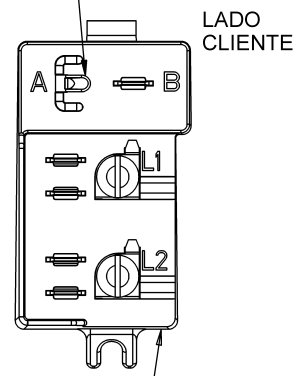
VISTA LADO CABLES



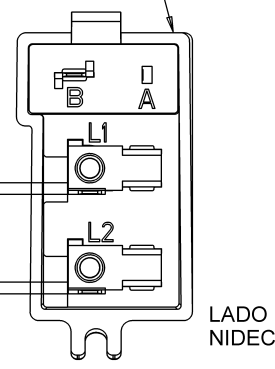
(POLOS EN PARALELO M1)
(POLOS EN SERIES AUX)

NIDEC CONFIDENTIAL
NIDEC MOTOR CORPORATION 23-SEP-13

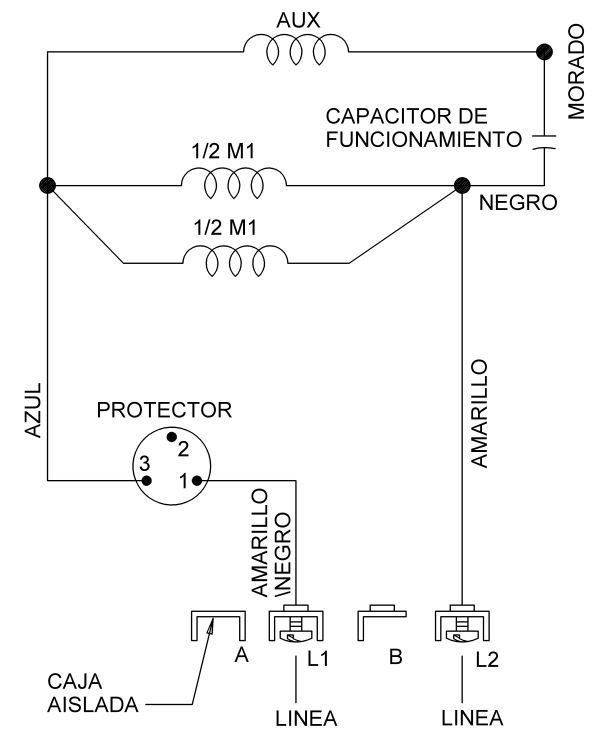
CAJA AISLADA (SIN TERMINAL)



ENSAMBLE DE TABLILLA DE TERMINAL



LADO NIDEC



ROTACION: CW LADO CABLES

K63, 2P, VOLTAJE SENCILLO, NO REVERSIBLE

REV A

REVISION DESCRIPTION FOR: C8396-06	SCALE: NONE	UNITS: INCHES	TITLE: DIAGRAM OF CONNECTIONS	NIDEC MOTOR CORPORATION
CHANGED MARK FROM EMERSON TO NIDEC.	TOLERANCES ON DIMENSIONS (UNLESS OTHERWISE SPECIFIED)		ISSUED BY: E. VICENCIO	APPROVED BY: J.I. SALAZAR
CHANGED FROM MICROSTATION TO SOLIDEDGE.	INCHES: ± .015	mm	REVISION DATE: 24-SEP-13	REVISION DATE: 24-SEP-13
MATERIAL:	ANGLES: X° = ±1°		CODE: D04	DWG NO.: 738828
			REV: A	SHEET NUMBER: 2 OF 2
			DWG SIZE: B	