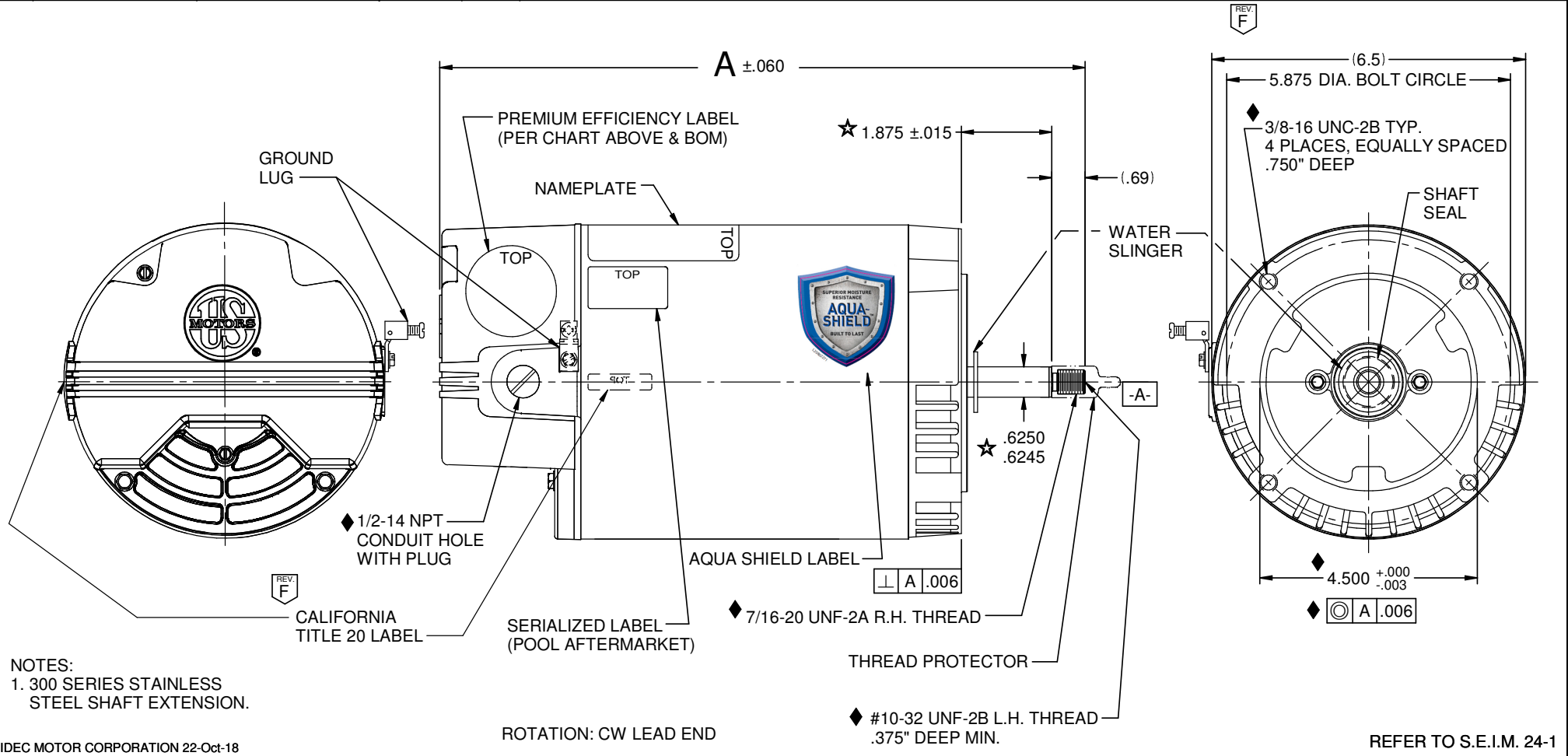


VAR	MODEL	CUSTOMER	CAT. NO.	A	B	XN	THP	VOLTS	AMPS	HZ	RPM	PREM. EFF.	CALIFORNIA TITLE 20 LABEL	DESCRIPTION / REMARKS
001	K63CXDGF-5167	POOL AFTERMARKET	ASB657	13.08	N/A	N/A	0.98	208-230/115	4.5-4.3/8.6	60	3450	YES	COMPLIANT	
002	K63CXDGG-5168	POOL AFTERMARKET	ASB638	13.58	N/A	N/A	1.25	208-230/115	5.9-5.5/11.0	60	3450	YES	NON-COMPLIANT	
003	K63CXDGH-5169	POOL AFTERMARKET	ASB654	13.83	N/A	N/A	1.65	208-230/115	7.6-7.2/14.4	60	3450	YES	NON-COMPLIANT	
004	K63CXDGJ-5170	POOL AFTERMARKET	ASB796	14.58	N/A	N/A	2.25	208-230/115	9.7-9.0/18.0	60	3450	YES	NON-COMPLIANT	
005	K63CXDGK-5171	POOL AFTERMARKET	ASB809	14.58	N/A	N/A	2.60	208-230	10.6-10.0	60	3450	YES	NON-COMPLIANT	
006	K63CXDGL-5172	POOL AFTERMARKET	ASB818	15.08	N/A	N/A	3.45	208-230	14.8-13.5	60	3450	YES	NON-COMPLIANT	



ISSUED BY:		ENGINEER APPROVED:		TOLERANCES ON DIMENSIONS (UNLESS OTHERWISE SPECIFIED)		NIDEC MOTOR CORPORATION			REVISION DATE:	
I. GUTIERREZ		S. SCHINZING		INCHES .XX = ± .010 .XXX = ± .005		INFORMATION DISCLOSED ON THIS DOCUMENT IS CONSIDERED PROPRIETARY AND SHALL NOT BE REPRODUCED OR DISCLOSED WITHOUT WRITTEN CONSENT OF NIDEC MOTOR CORPORATION			16-OCT-18	
VAR		ECO E32417		mm		TITLE			REV	
ADDED COLUMN "CALIFORNIA TITLE 20 LABEL" IN CHART.				ANGLES X° = ±1°		CUSTOMER DETAIL DRAWING			F	
ADDED NOTE "CALIFORNIA TITLE 20 LABEL"						CODE			SHEET NUMBER	
ADDED CRITICAL REQUIREMENT #4 IN PAGE 3 & 4.						V02			1 OF 6	
						ITEM NO.			DWG SIZE	
						805738			B	