

ROTATION: CW LEAD END

CAUTION: AUX SHIFTED 1 SLOT
CCW-LEAD END.
(PARALLEL MAIN POLES)
(SERIES AUX POLES)

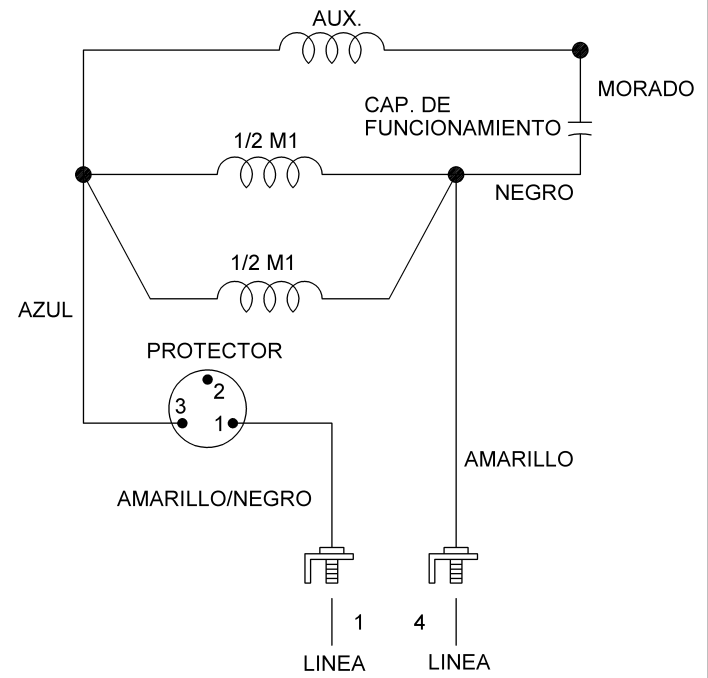
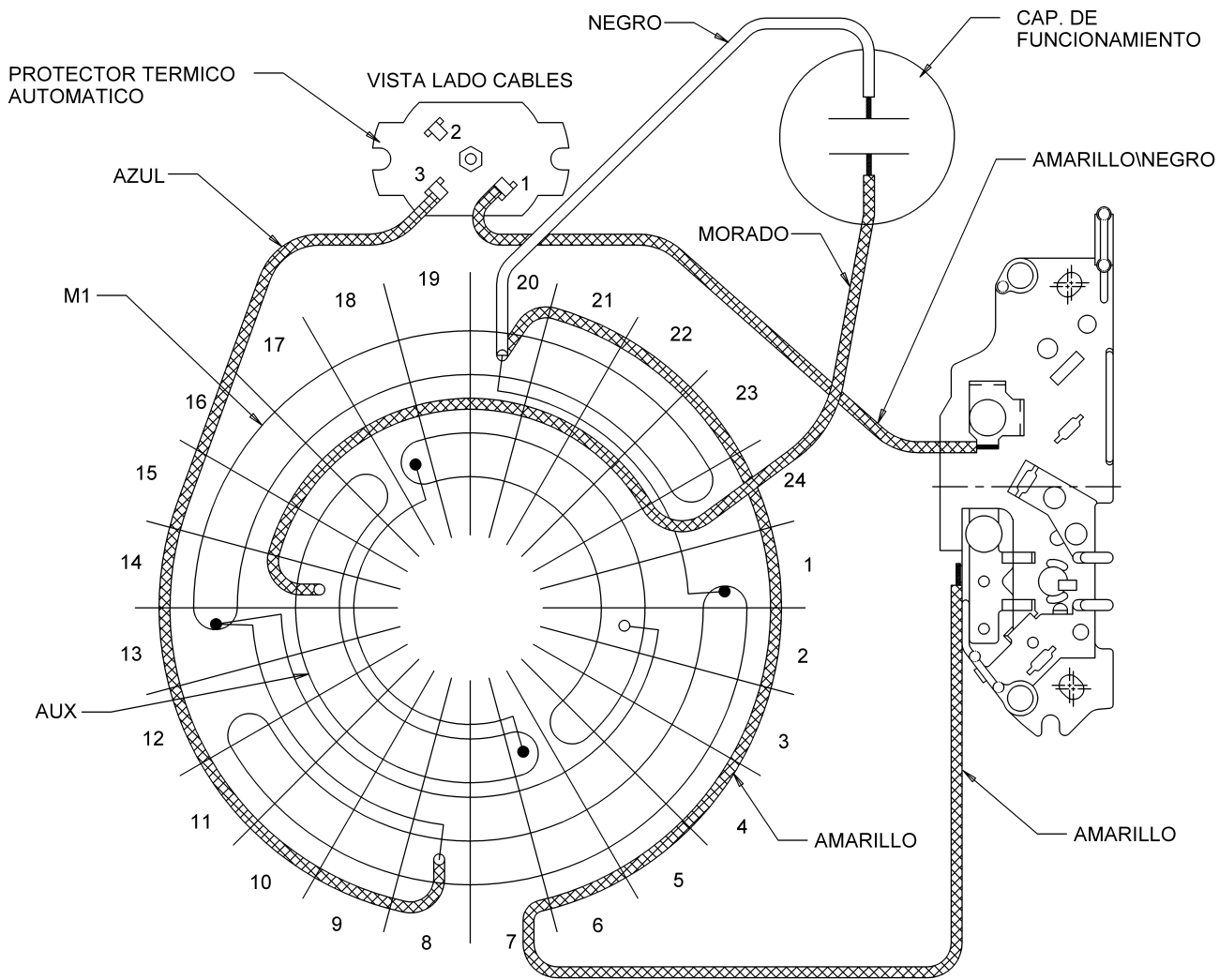
REFER TO SEIM 24-1



REVISION DESCRIPTION FOR: C8396-05		SCALE	UNITS	TITLE		NIDEC MOTOR CORPORATION	
UPDATED BACKGROUND FROM EMERSON TO NIDEC. CONVERTED DRAWING FROM MICROSTATION TO SOLID EDGE		NONE	INCHES	DIAGRAM OF CONNECTIONS			
MATERIAL:		TOLERANCES ON DIMENSIONS (UNLESS OTHERWISE SPECIFIED)		ISSUED BY		REVISION DATE	
		INCHES	mm	R. GUZMAN		24-SEP-13	
		.XX = ± .01		APPROVED BY		REV	
		.XXX = ± .005		J.I. SALAZAR		SHEET NUMBER	
		ANGLES X° = ±1°		D04		1 OF 2	
				DWG NO. 737126		DWG SIZE B	

NIDEC CONFIDENTIAL
NIDEC MOTOR CORPORATION 24-Sep-13

MUST BE COMPLIANT TO ROHS DIRECTIVE EU 2002/95/EC AND REGULATION EC 1907/2006 (REACH) AS AMENDED



ROTACION: CW LADO CABLES

PRECAUCION: AUX GIRADO 1 SLOT
CCW-LADO CABLES.
(POLOS EN PARALELO M1)
(POLOS EN SERIE AUX.)

REFER TO SEIM 24-1

NIDEC CONFIDENTIAL
NIDEC MOTOR CORPORATION 24-Sep-13

REVISION DESCRIPTION FOR: C8396-05		SCALE	UNITS	TITLE	NIDEC MOTOR CORPORATION
ACTUALIZADO MARCO DE EMERSON A		NONE	INCHES	DIAGRAM DE CONEXIONES	
NIDEC. SE CONVIRTIÓ DIBUJO DE MICROSTATION A SOLID EDGE		TOLERANCES ON DIMENSIONS (UNLESS OTHERWISE SPECIFIED)		ISSUED BY	REVISION DATE
MATERIAL:		INCHES	mm	R. GUZMAN	24-SEP-13
		.XX = ± .01		APPROVED BY	SHEET NUMBER
		.XXX = ± .005		J.I. SALAZAR	2 OF 2
		ANGLES X° = ±1°		CODE	DWG. NO.
				D04	737126
				REV	DWG. SIZE
				A	B