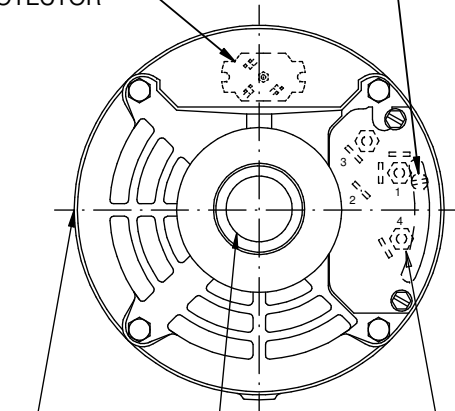


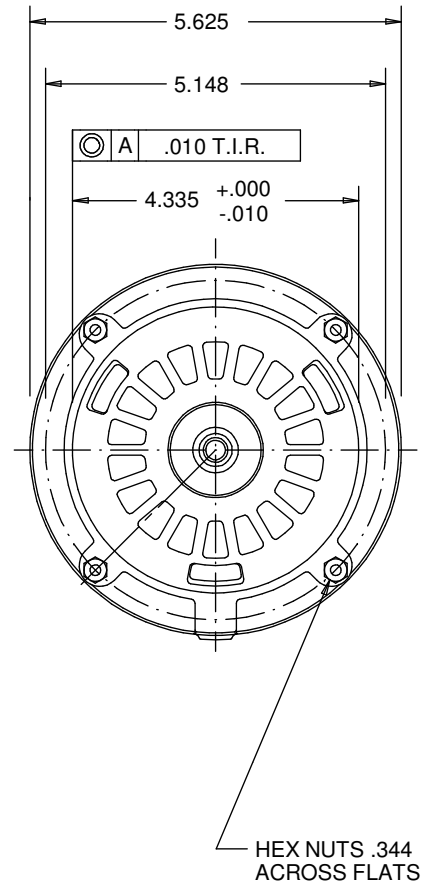
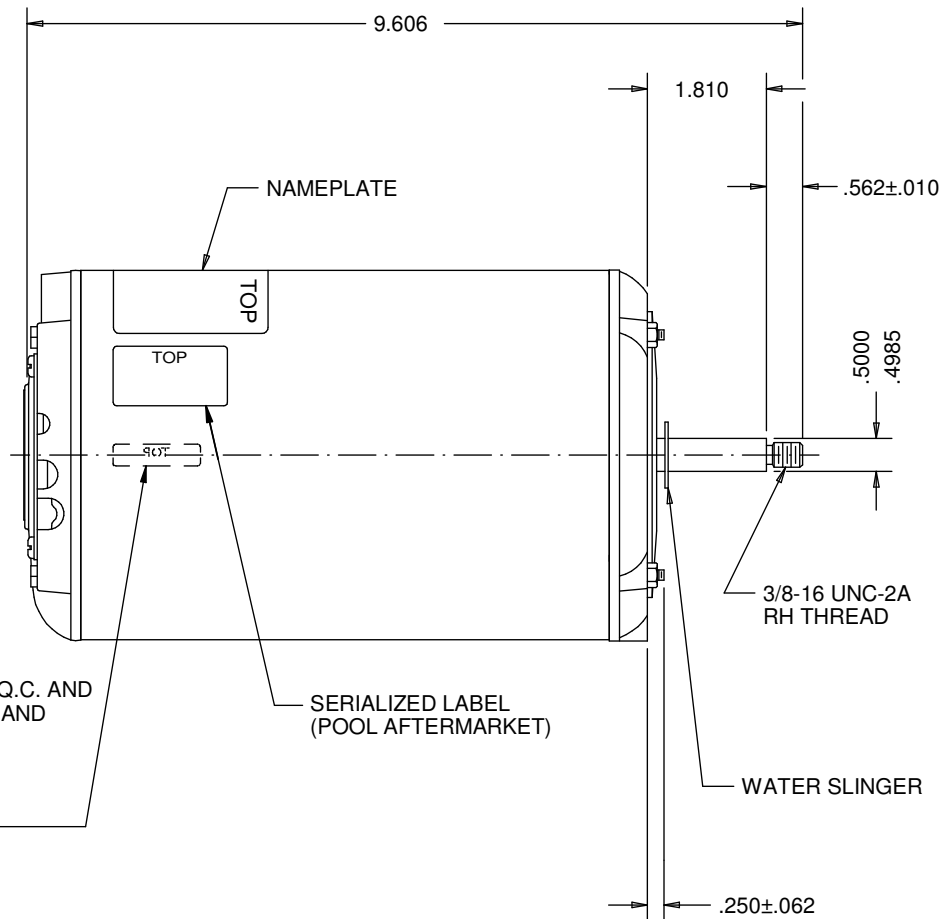
AUTOMATIC THERMAL PROTECTOR
#8 GREEN GROUND SCREW



HUB CAP

(2) COMBINATION Q.C. AND TERMINAL STUDS AND 2 Q.C. TERMINALS

CALIFORNIA TITLE 20 LABEL



BEARING	CATALOG NO.
BALL - BALL	AGL10FL1H2
ROTATION	CUSTOMER PN
CCW DRIVE END	

MODEL	REF	CUSTOMER	HP	VOLTS	AMPS	HZ	RPM	ROTATION	CUSTOMER PN
S55CXPJZ-7610		POOL AFTERMARKET	1.0	115	10.0	60	3450	CCW DRIVE END	
SHEET NUMBER	REV	REVISION RECORD FOR: E32458		INFORMATION DISCLOSED ON THIS DOCUMENT IS CONSIDERED PROPRIETARY AND SHALL NOT BE REPRODUCED OR DISCLOSED WITHOUT WRITTEN CONSENT OF NIDEC MOTOR CORPORATION				NIDEC MOTOR CORPORATION	
1 OF 1	D	CALIFORNIA TITLE 20 LABEL ADDED.							
REVISION DATE									
17-OCT-18									
ALL DIMENSIONS ARE FOR REFERENCE ONLY UNLESS TOLERANCE IS GIVEN									
ISSUED BY	REVIEWED BY	ENGINEER APPROVED	TITLE	CODE	ITEM NO.	SIZE			
E. REYES	S. SCHINZING	J. SCHRADER	ASSEMBLED VIEW	V01	727370	B			

NIDEC MOTOR CORPORATION 17-Oct-18